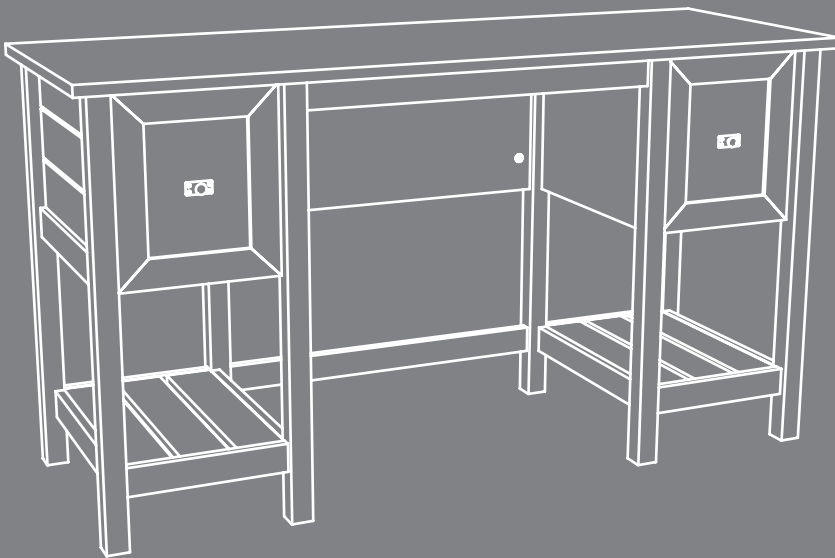


Teknik

www.teknikoffice.co.uk



For **all** your
newfangled **gadgetry**.

Shaker Style Desk Raven Oak

Model 5431265

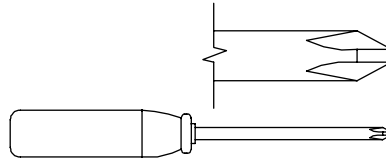
NOTE: THIS INSTRUCTION
BOOKLET CONTAINS **IMPORTANT**
SAFETY INFORMATION.

PLEASE READ AND KEEP FOR
FUTURE REFERENCE.

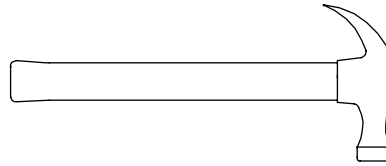
Table of Contents

Assembly Tools Required

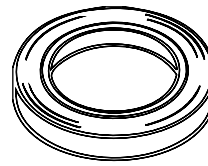
Part Identification	2-3
Hardware Identification	4
Assembly Steps	5-27
Troubleshooting	28
Français	29-32
Español	33-36
Safety	37-38
Warranty	39



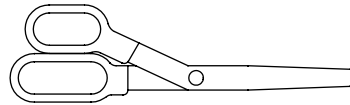
No. 2 Phillips Screwdriver
Tip Shown Actual Size



Hammer
Not actual size 😊



Masking Tape



Scissors

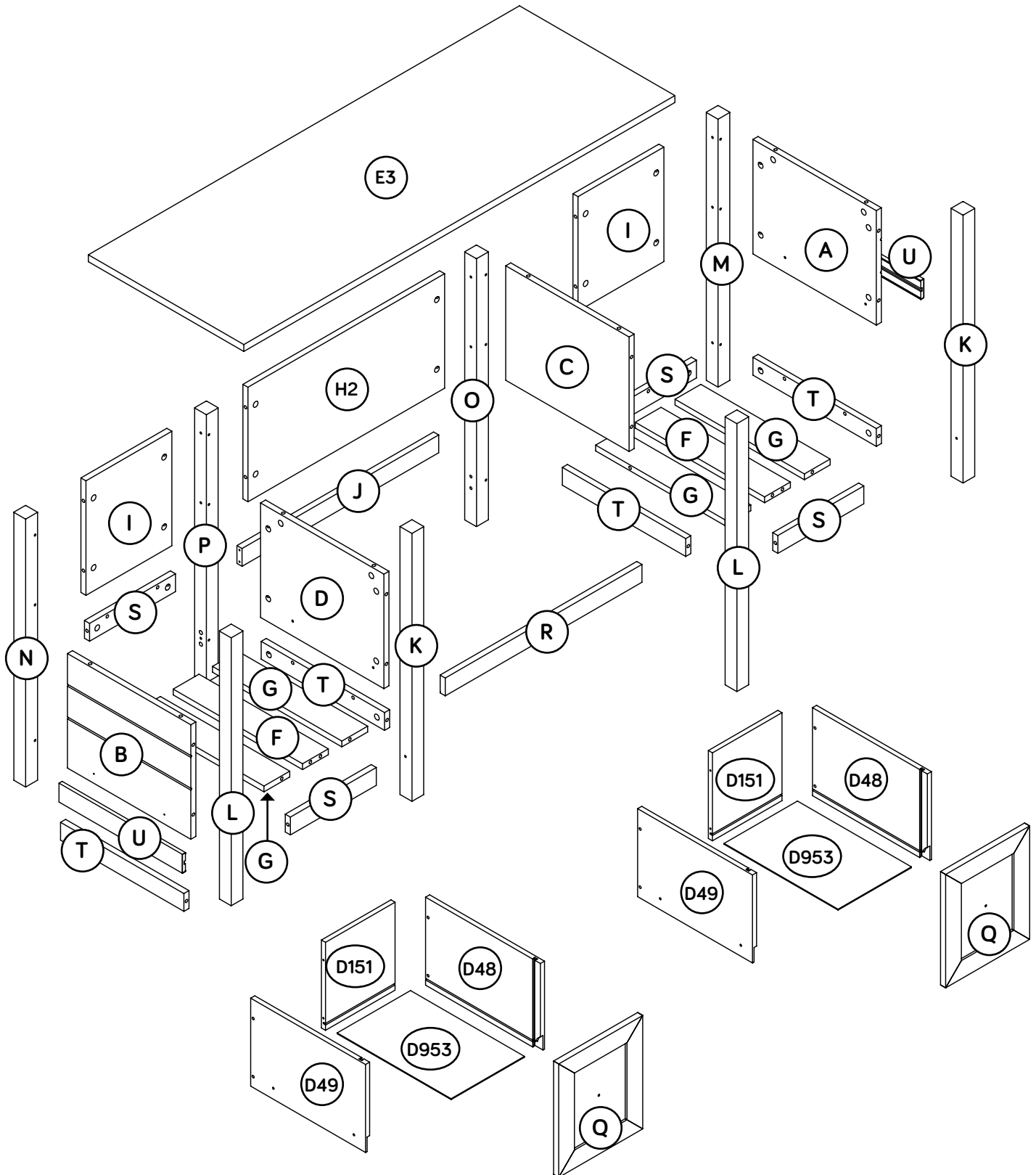
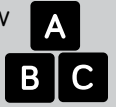
Part Identification

⚠ While not all parts are labeled, some of the parts will have a label or an inked letter on the edge to help distinguish similar parts from each other. Use this part identification to help identify similar parts.

A	RIGHT END (1)	F	BOTTOM (2)	O	RIGHT MIDDLE REAR LEG (1)
B	LEFT END (1)	G	OUTER BOTTOM (4)	P	LEFT MIDDLE REAR LEG (1)
C	RIGHT UPRIGHT (1)	H2	LARGE BACK (1)	Q	DRAWER FRONT (2)
D	LEFT UPRIGHT (1)	I	SMALL BACK (2)	R	TOP MOLDING (1)
D48	RIGHT DRAWER SIDE (2)	J	BRACE (1)	S	BOTTOM MOLDING (4)
D49	LEFT DRAWER SIDE (2)	K	RIGHT FRONT LEG (2)	T	BOTTOM SIDE MOLDING (4)
D151	DRAWER BACK (2)	L	LEFT FRONT LEG (2)	U	END MOLDING (2)
D953	DRAWER BOTTOM (2)	M	RIGHT REAR LEG (1)		
E3	TOP (1)	N	LEFT REAR LEG (1)		

Part Identification

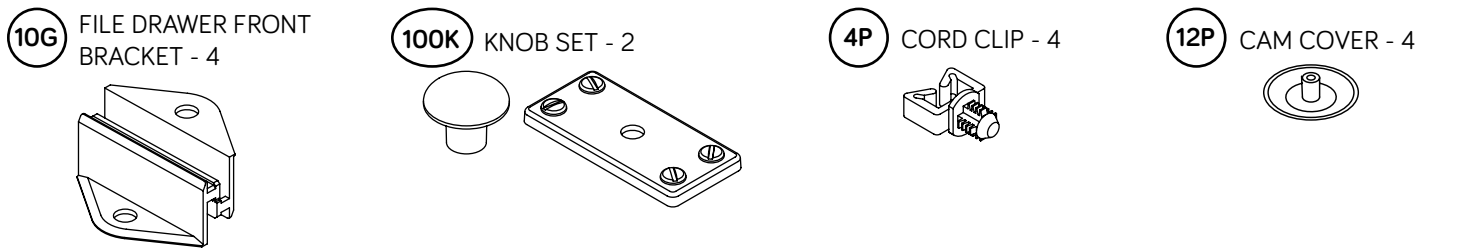
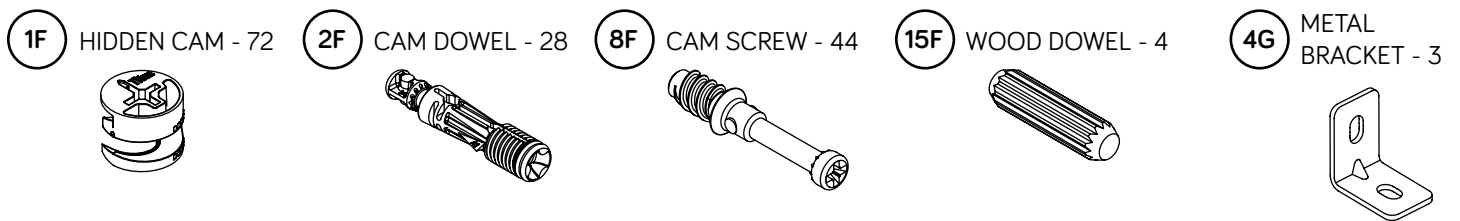
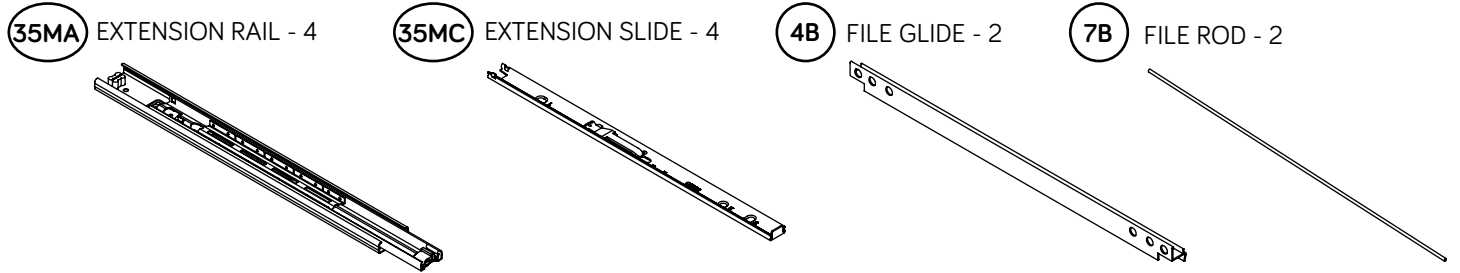
Now you know
our ABCs.



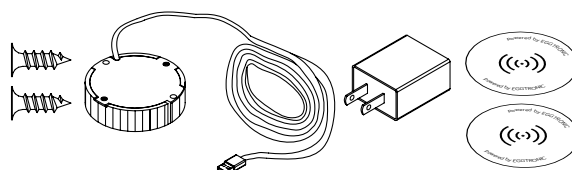
Hardware Identification

↑ Screws are shown actual size. You may receive extra hardware with your unit.

(EXTENSION SET SHOWN SEPARATED)



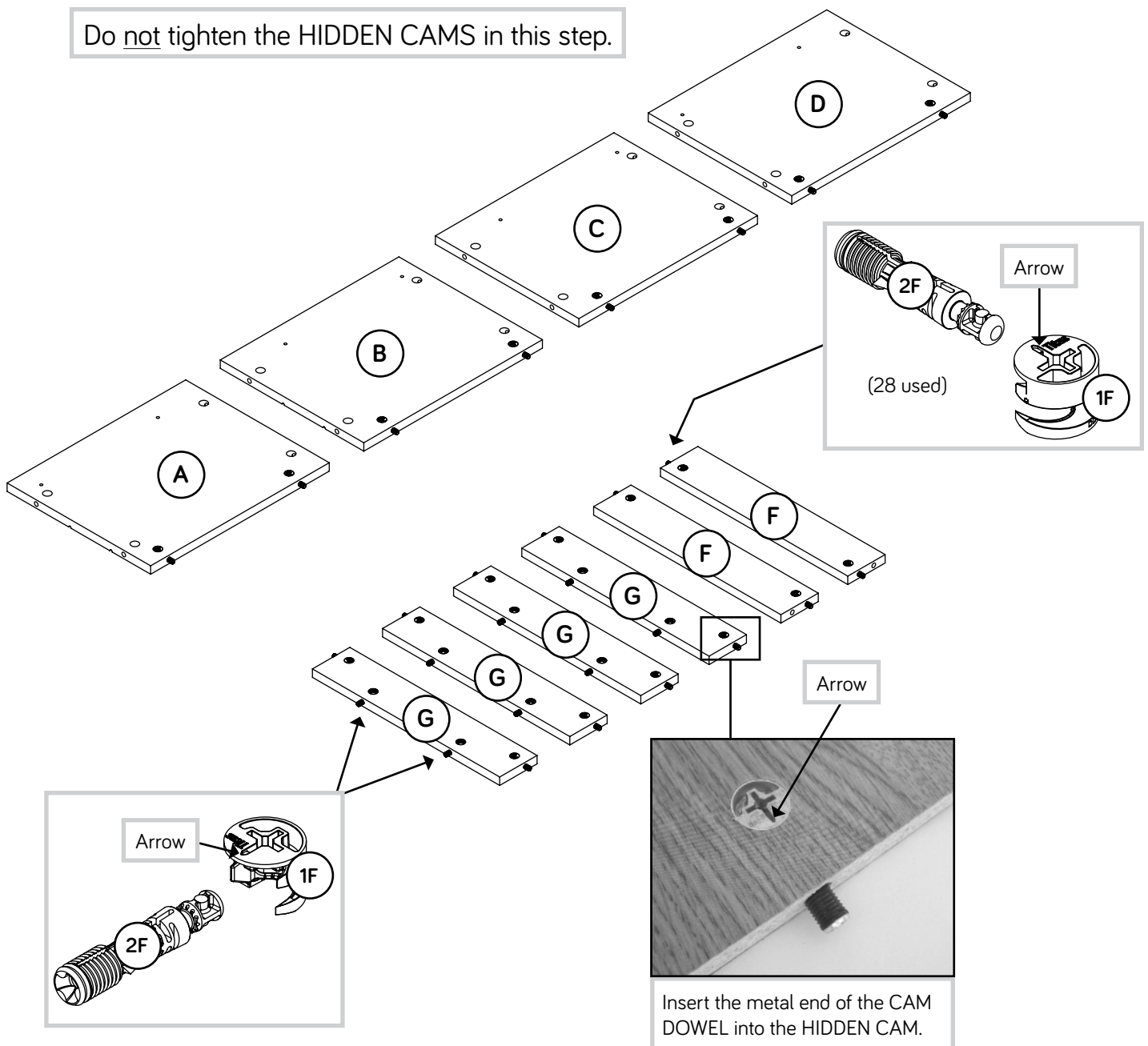
HIDDEN WIRELESS Qi COMPATIBLE CHARGER by
EGGTRONIC - Item 425905 (sold separately)



Step 1

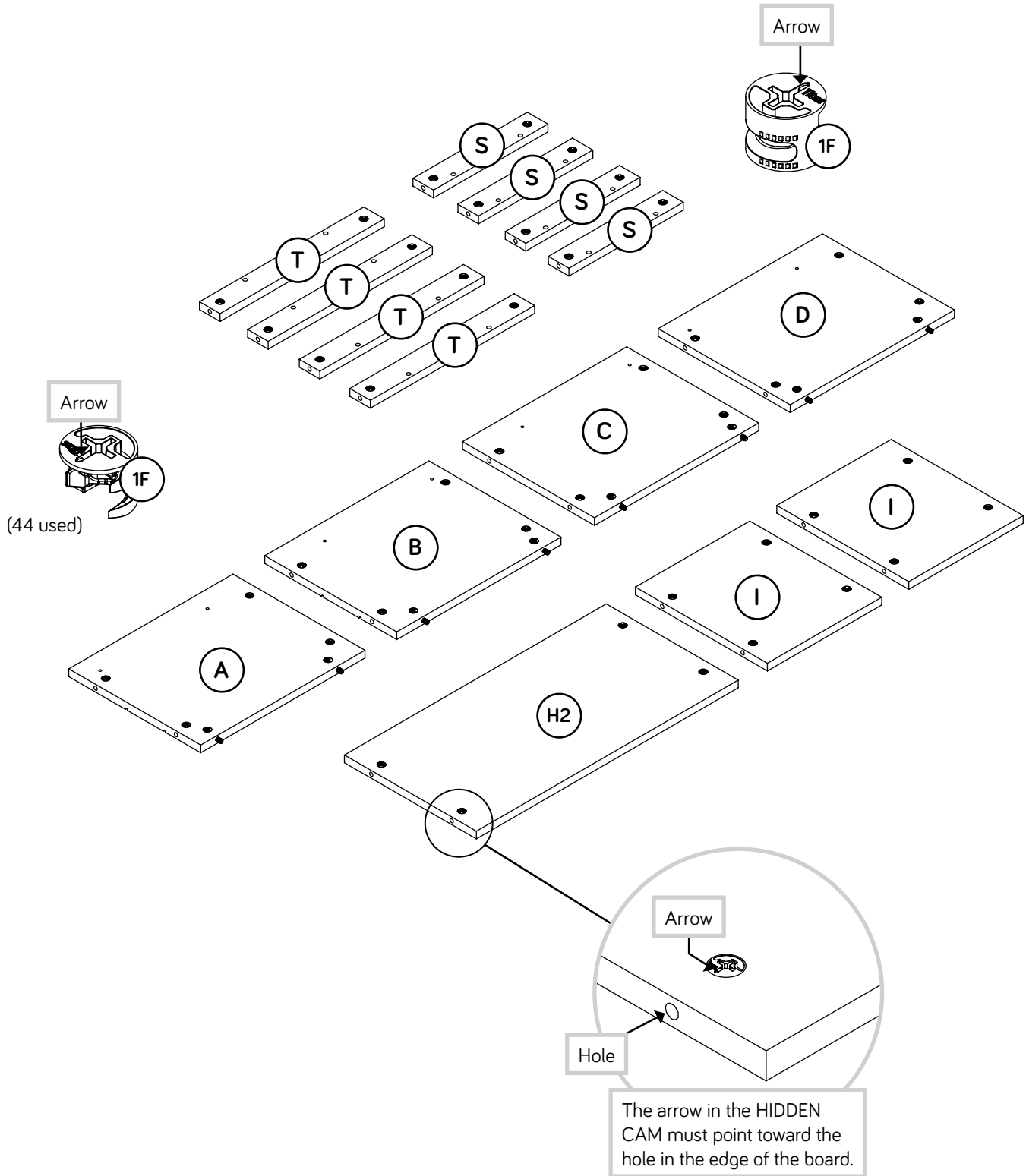
- ✚ Assemble your unit on a carpeted floor or on the empty carton to avoid scratching your unit or the floor.
- ✚ Push twenty-eight HIDDEN CAMS (1F) into the ENDS (A and B), UPRIGHTS (C and D), and BOTTOMS (F and G). Then, insert the metal end of a CAM DOWEL (2F) into each HIDDEN CAM.

Do not tighten the HIDDEN CAMS in this step.



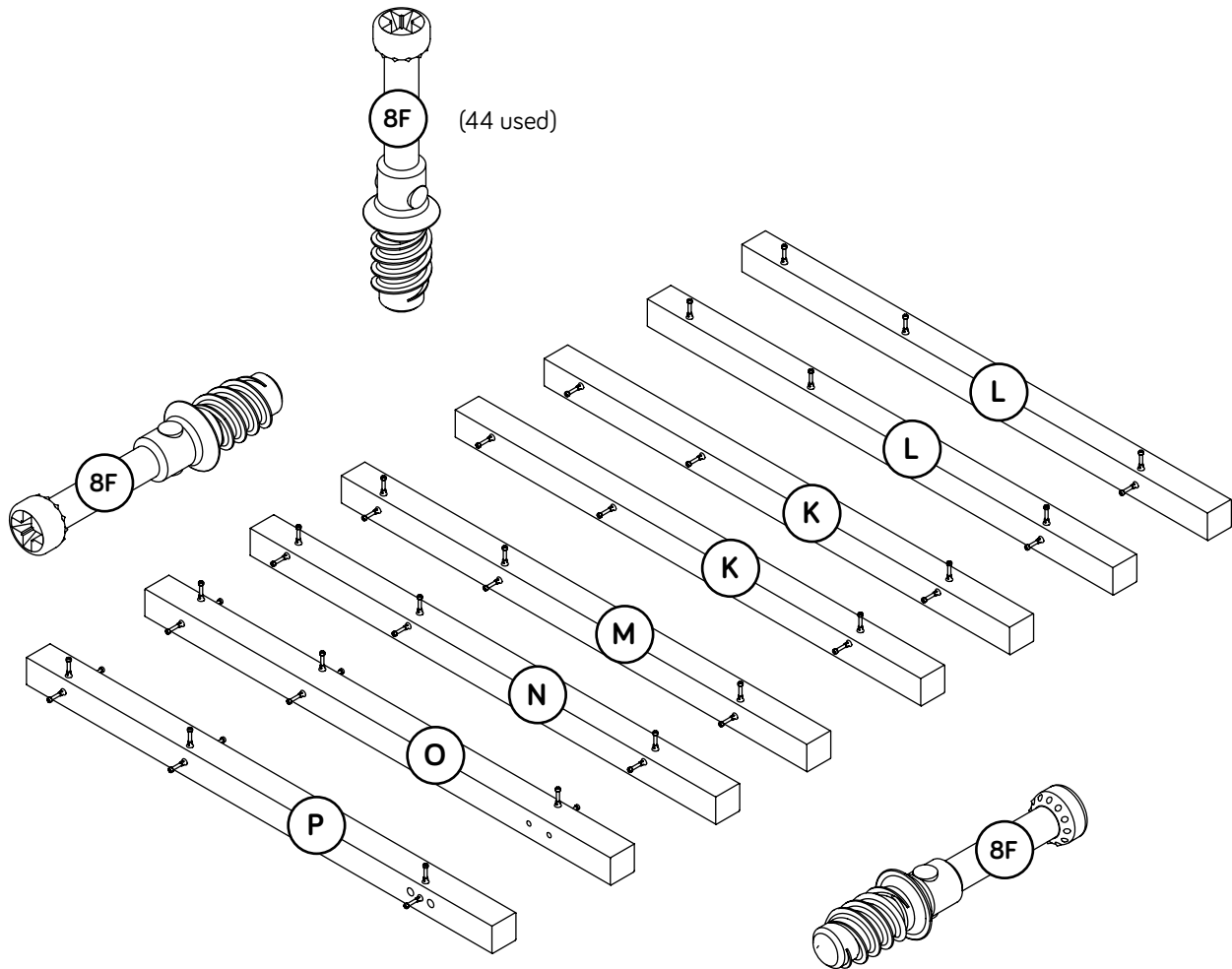
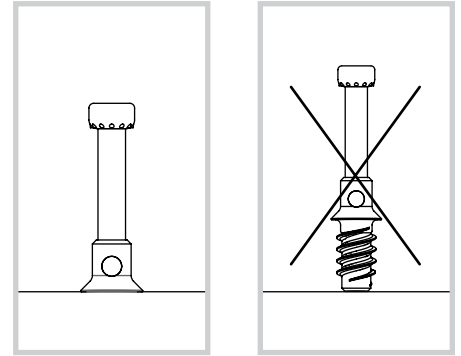
Step 2

- Push forty-four HIDDEN CAMS (1F) into the ENDS (A and B), UPRIGHTS (C and D), BACKS (H2 and I), and MOLDINGS (S and T).



Step 3

Turn forty-four CAM SCREWS (8F) into the LEGS (K, L, M, N, O, and P).

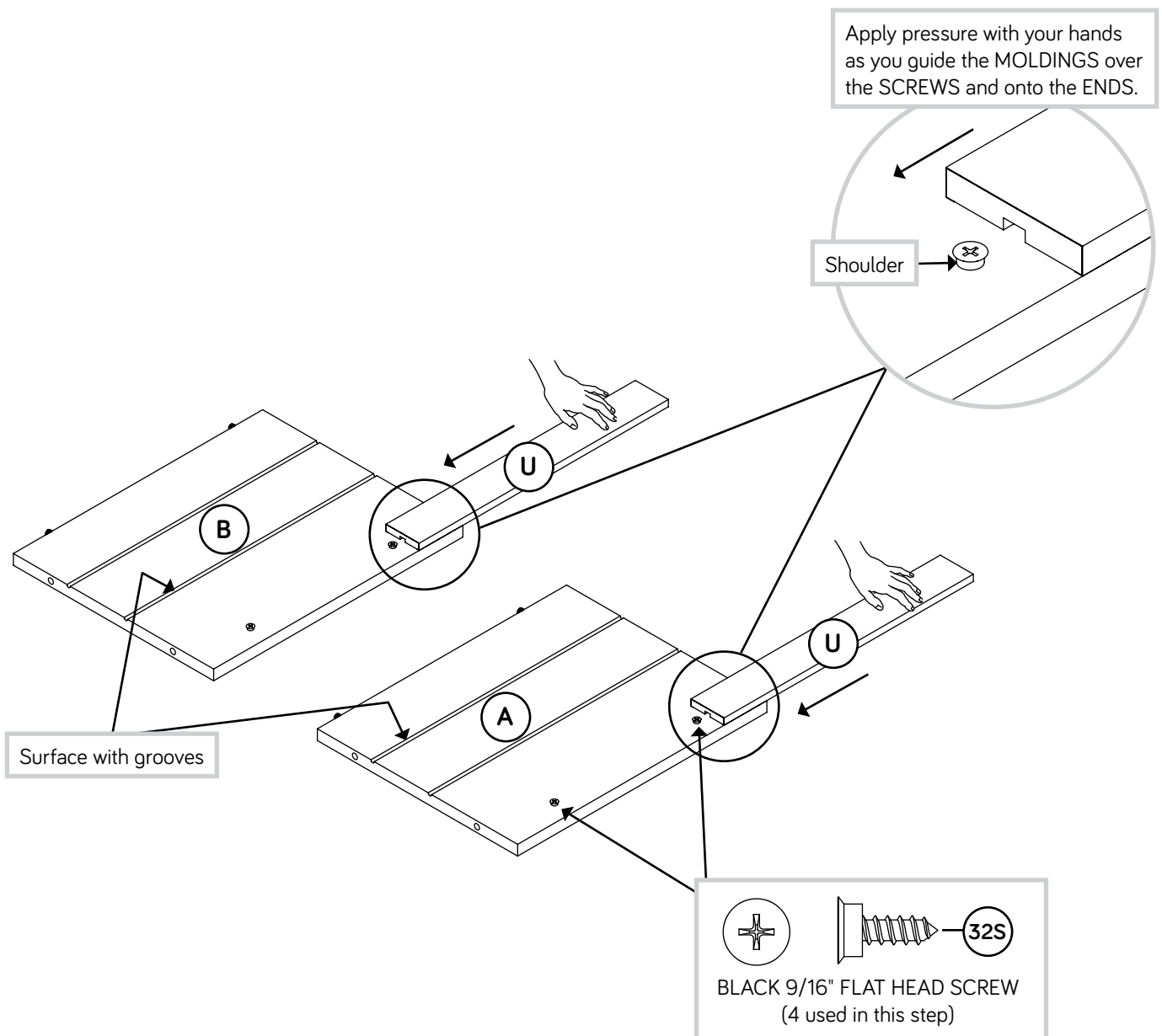


Step 4

- Turn four BLACK 9/16" FLAT HEAD SCREWS (32S) into the ENDS (A and B) until the shoulders of the SCREWS rest on the surfaces of the ENDS.
- Slide the END MOLDINGS (U) onto the ENDS (A and B). Line up the grooves in the MOLDINGS over the heads of the SCREWS in the ENDS.
- NOTE:** The MOLDINGS should be centered on the ENDS.

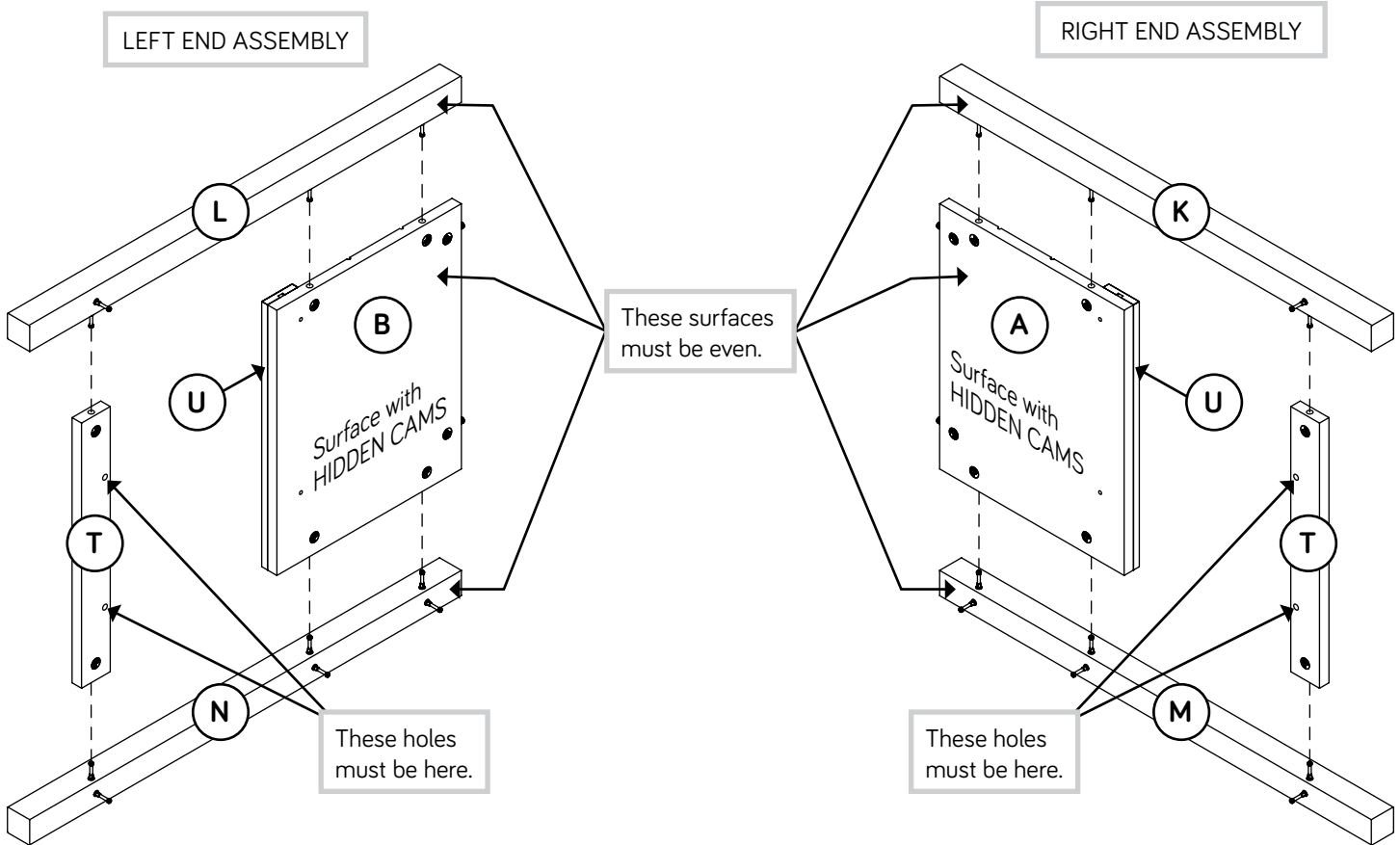
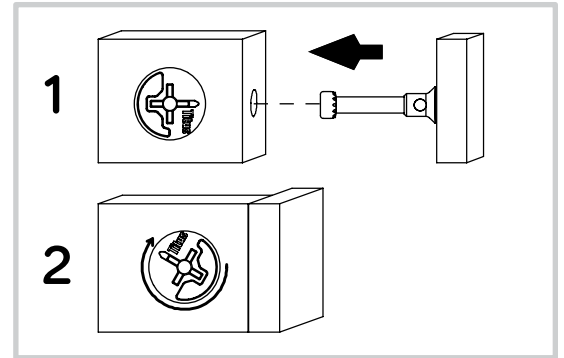


Some assembly
(and snacks) required.



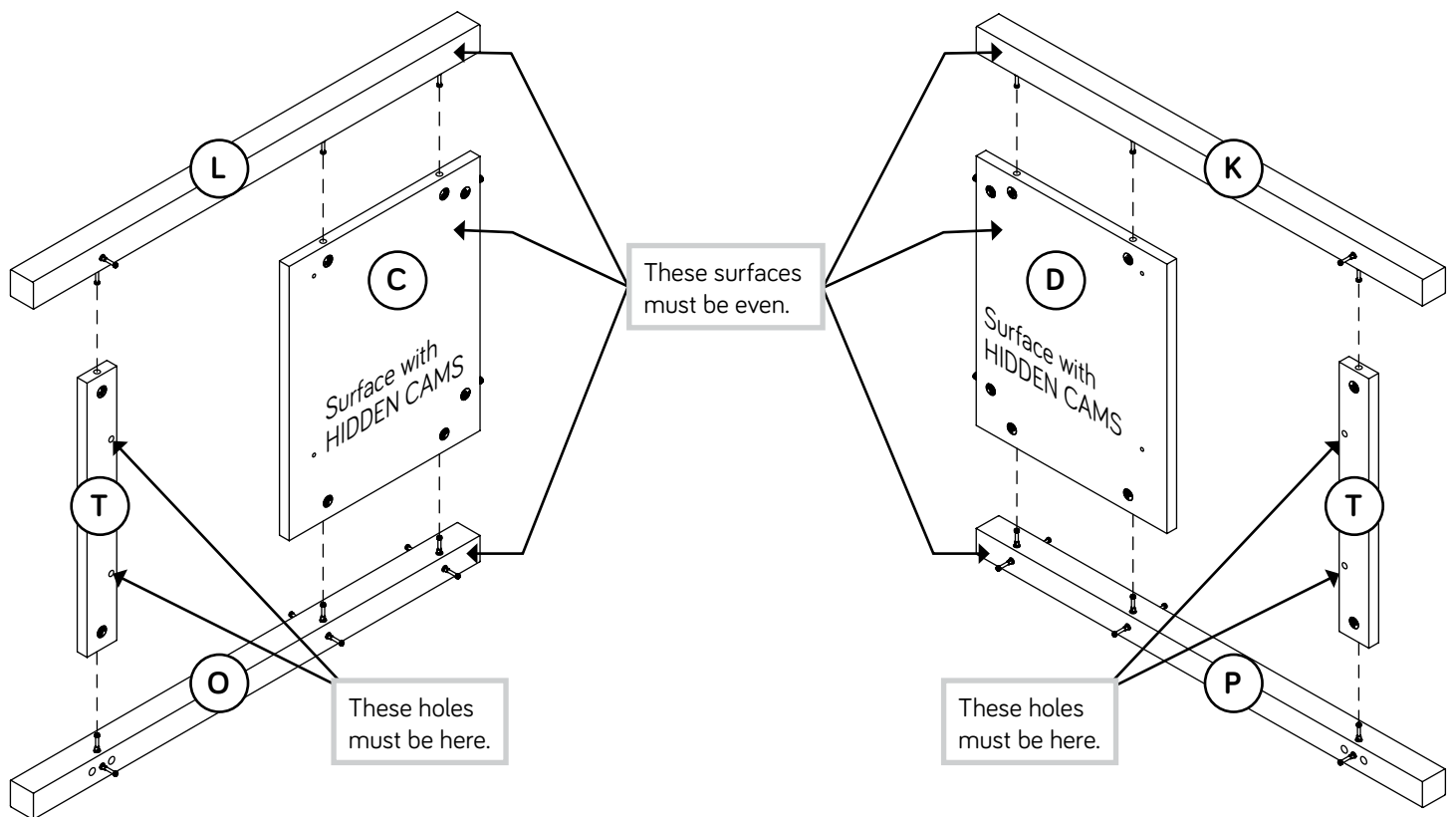
Step 5

- Fasten the LEGS (K and M) to a BOTTOM SIDE MOLDING (T) and the RIGHT END (A). Tighten six HIDDEN CAMS.
- Fasten the LEGS (L and N) to a BOTTOM SIDE MOLDING (T) and the LEFT END (B). Tighten six HIDDEN CAMS.



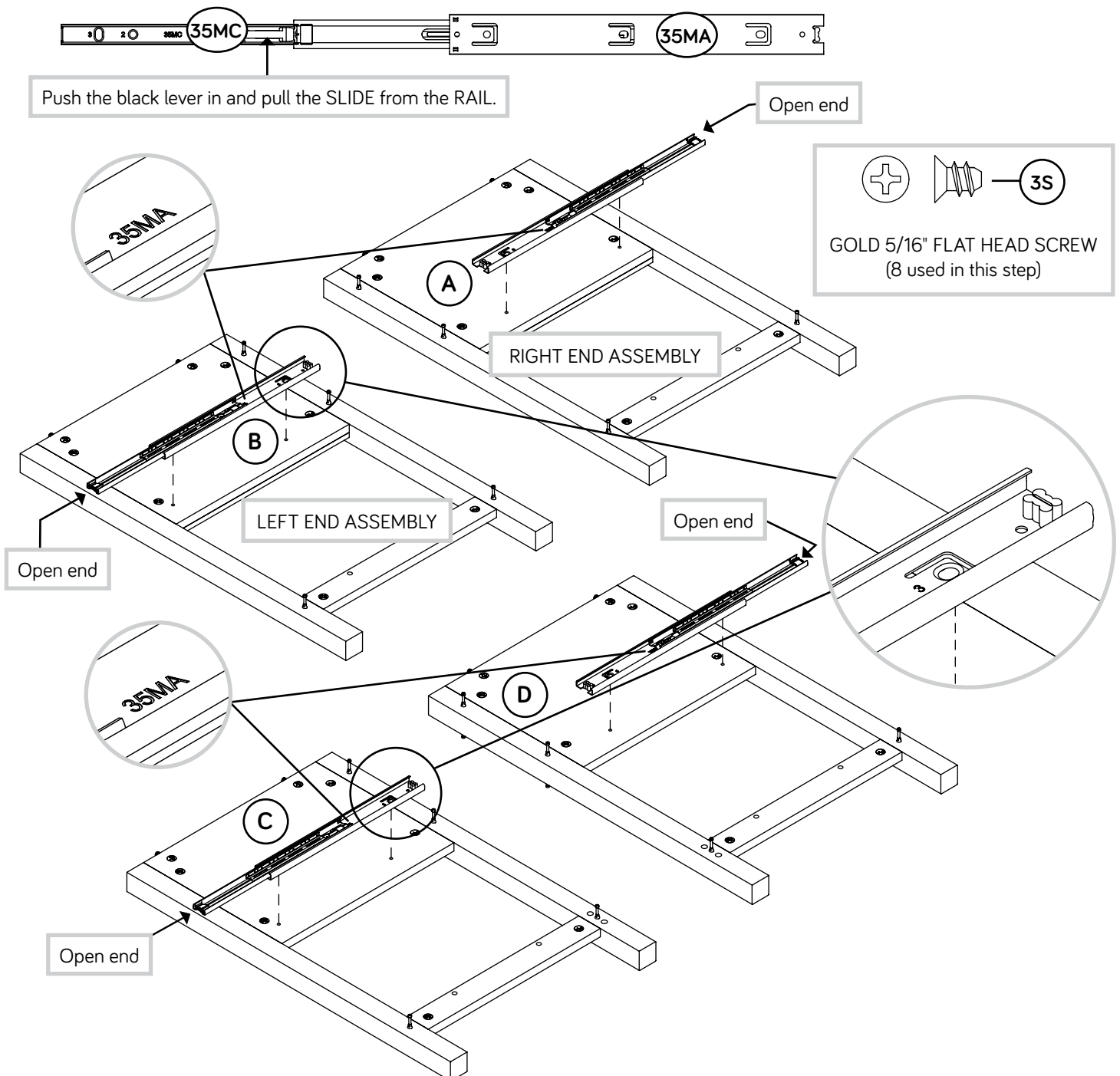
Step 6

- Fasten the LEGS (L and O) to a BOTTOM SIDE MOLDING (T) and the UPRIGHT (C). Tighten six HIDDEN CAMS.
- Fasten the LEGS (K and P) to a BOTTOM SIDE MOLDING (T) and the LEFT UPRIGHT (D). Tighten six HIDDEN CAMS.



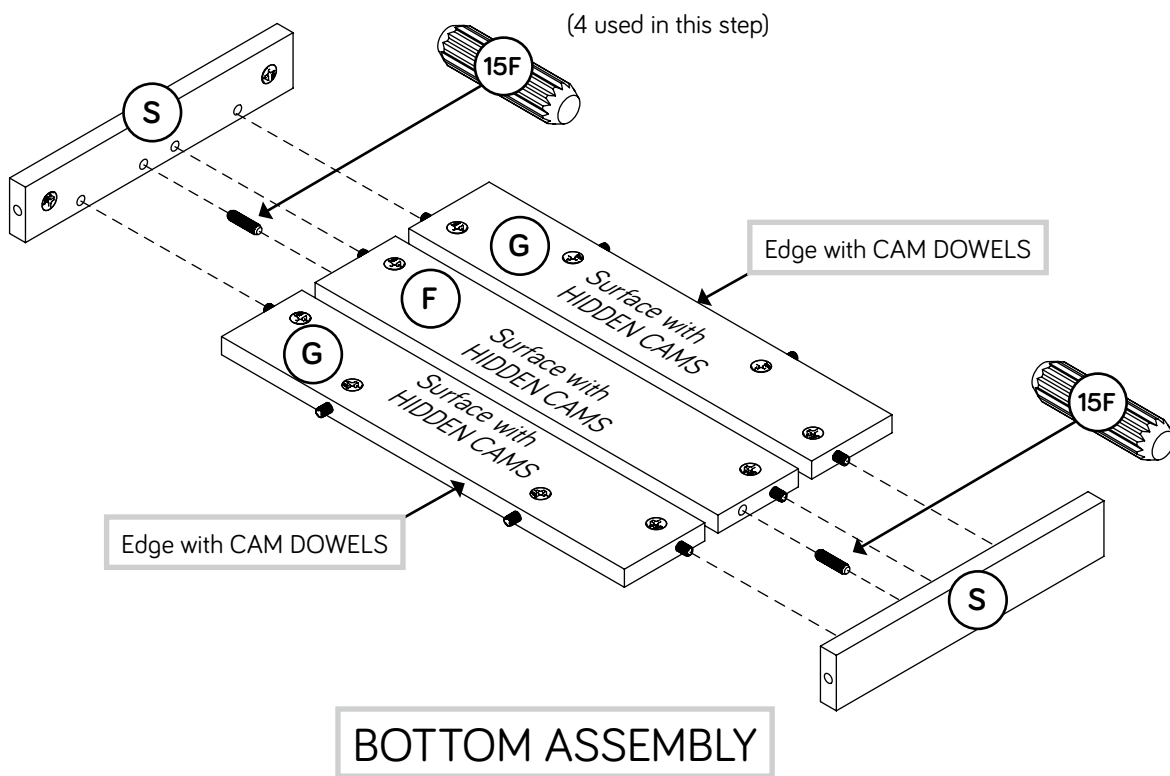
Step 7

- ✦ Separate the EXTENSION SLIDES (35MC) from the EXTENSION RAILS (35MA) as shown in the enlarged diagram below. Be prepared, the parts are greasy.
- ✦ Fasten the EXTENSION RAILS (35MA) to the ENDS (A and B) and UPRIGHTS (C and D). Use eight GOLD 5/16" FLAT HEAD SCREWS (3S).
- ✦ NOTE: For each EXTENSION RAIL, turn a SCREW into the hole shown in the enlarged diagram. Then, slide the inner cartridge of the EXTENSION RAIL in to find the other hole that lines up with the hole in the END or UPRIGHT. Turn a SCREW into this hole.



Step 8

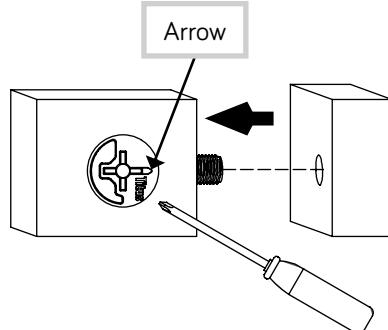
- ✚ Insert a WOOD DOWEL (15F) into each short edge of a BOTTOM (F).
- ✚ Lay two OUTER BOTTOMS (G) next to the BOTTOM (F) as shown.
- ✚ Fasten two BOTTOM MOLDINGS (S) to the BOTTOMS (F and G). Tighten six HIDDEN CAMS.
- ✚ NOTE: Be sure the WOOD DOWELS insert into the BOTTOM MOLDINGS.
- ✚ Repeat this step for the remaining BOTTOMS (F and G) and BOTTOM MOLDINGS (S).



⚠ Caution

Risk of damage or injury. HIDDEN CAMS must be completely tightened. HIDDEN CAMS that are not completely tightened may loosen, and parts may separate. To completely tighten:

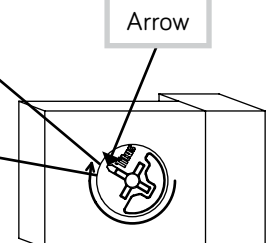
Start



Tighten

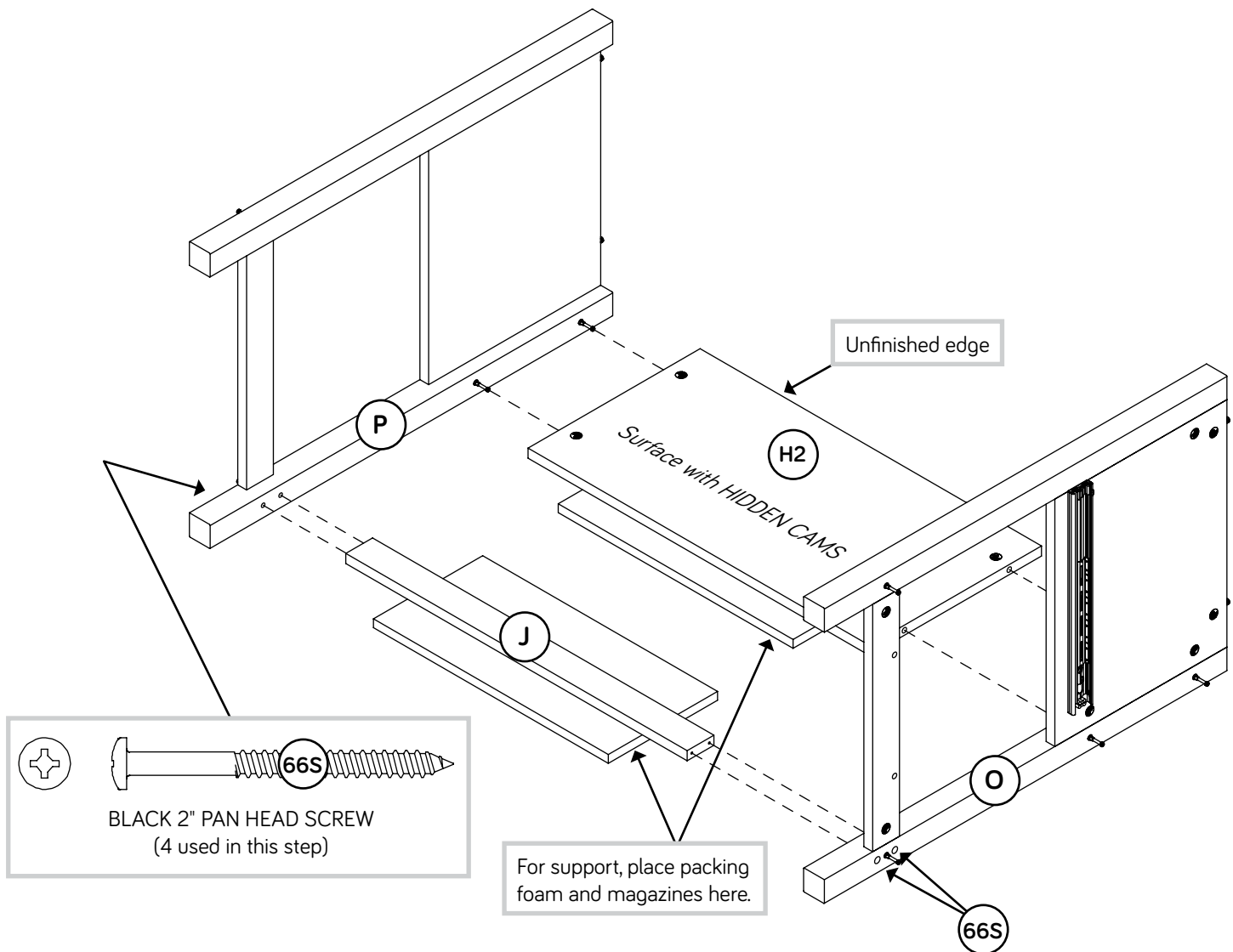
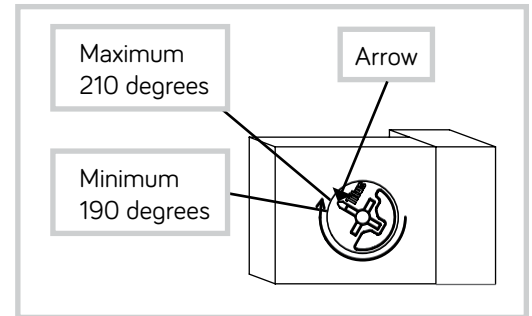
Maximum 210 degrees

Minimum 190 degrees



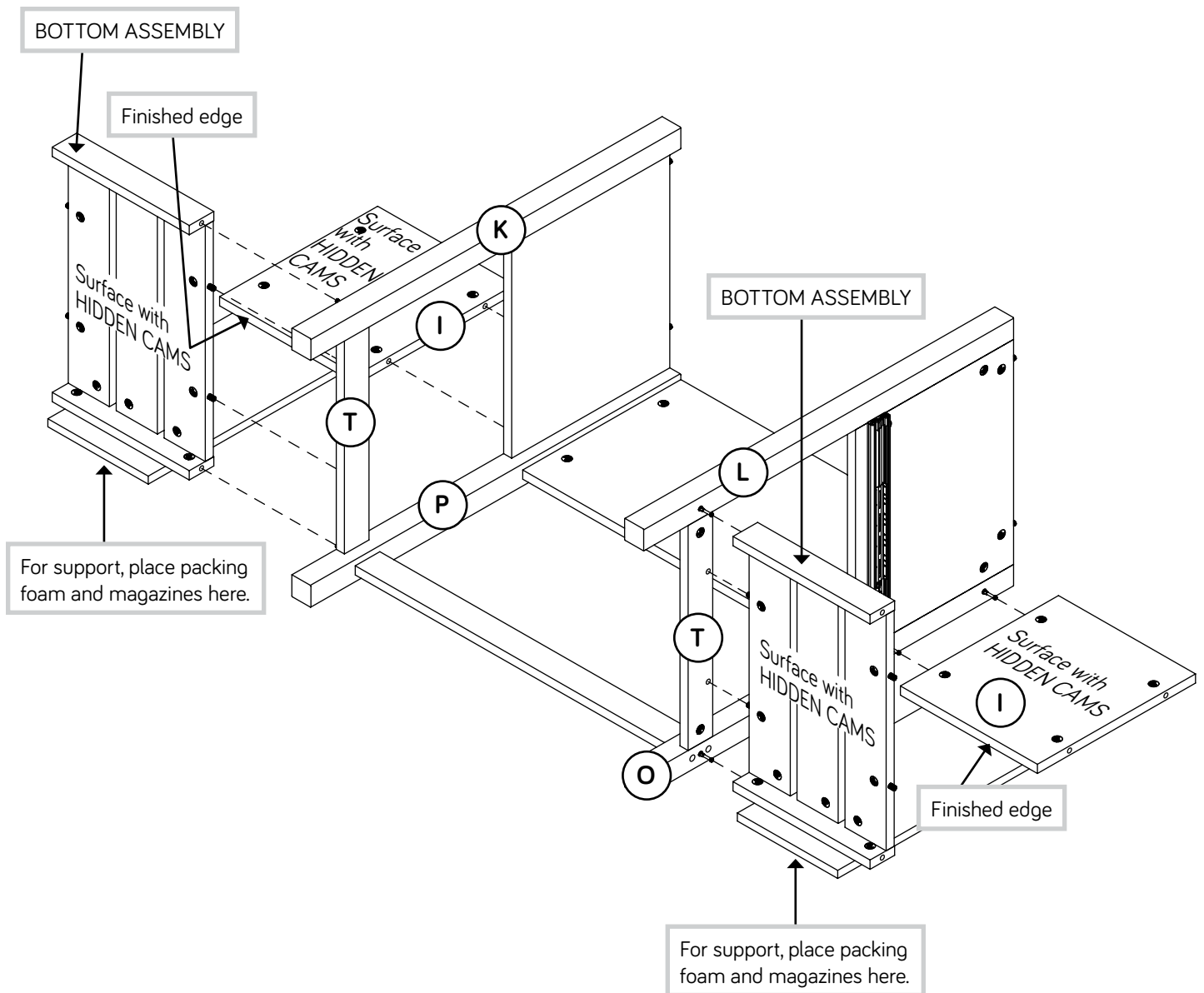
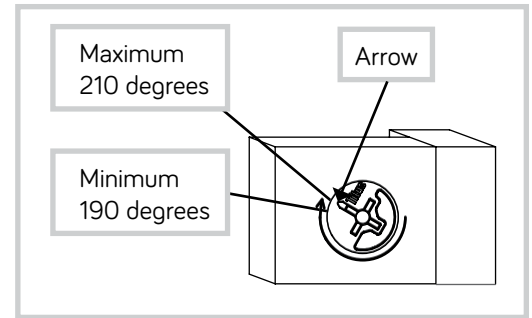
Step 9

- Fasten the MIDDLE REAR LEGS (O and P) to the LARGE BACK (H2). Tighten four HIDDEN CAMS.
- Fasten the BRACE (J) to the MIDDLE REAR LEGS (O and P). Use four BLACK 2" PAN HEAD SCREWS (66S).
- NOTE:** You should start each SCREW a few turns before completely tightening any of them.



Step 10

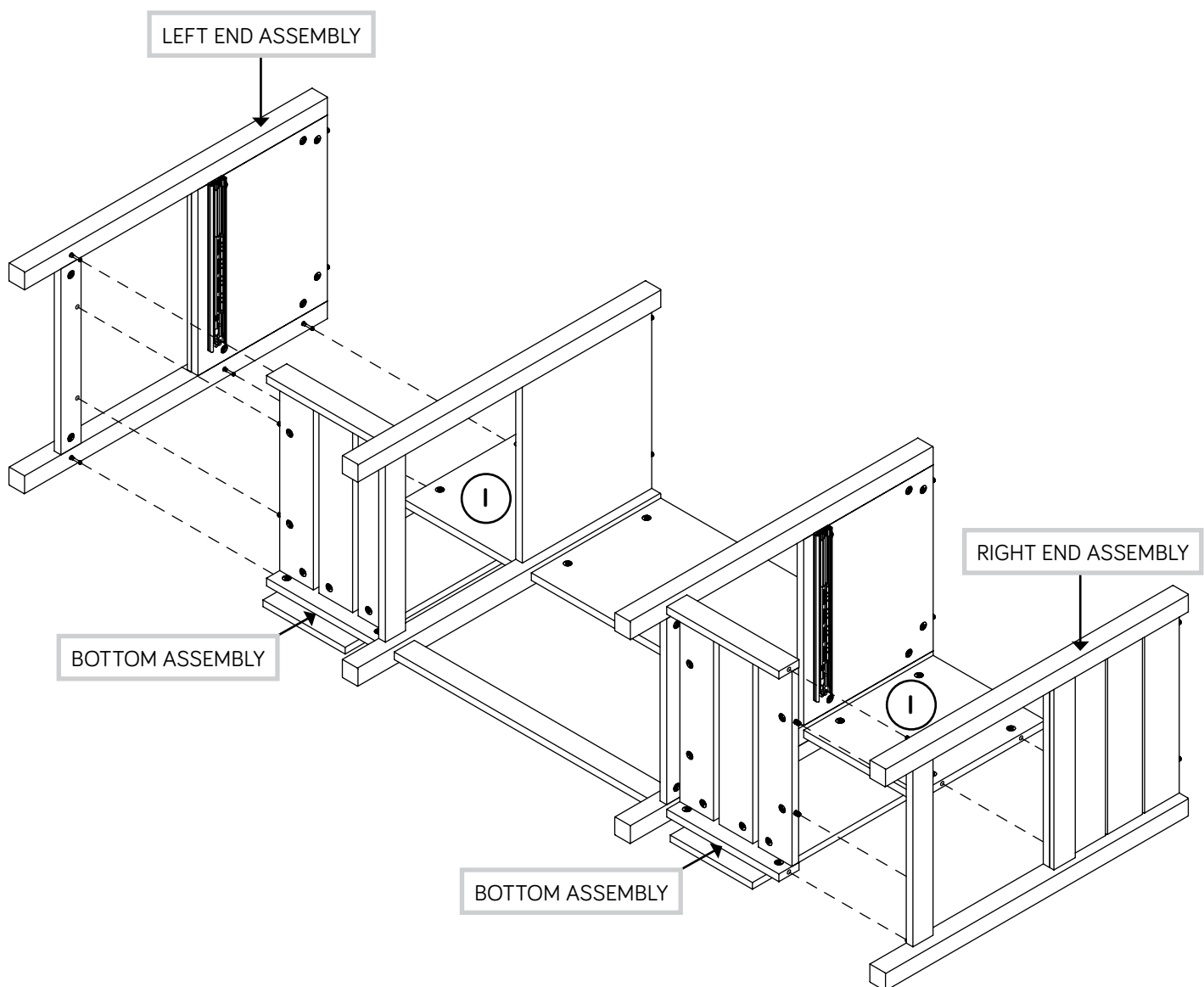
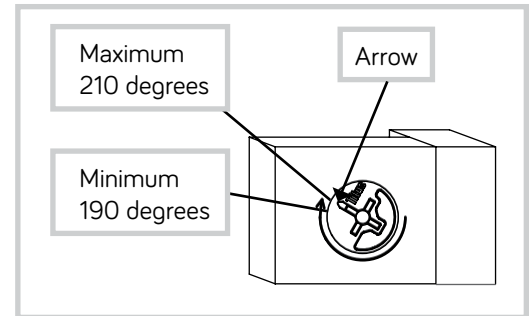
- Fasten the SMALL BACKS (I) to the MIDDLE REAR LEGS (O and P). Tighten four HIDDEN CAMS.
- Fasten a BOTTOM assembly to the LEGS (L and O) and BOTTOM SIDE MOLDING (T). Tighten four HIDDEN CAMS.
- Fasten the remaining BOTTOM assembly to the LEGS (K and P) and BOTTOM SIDE MOLDING (T). Tighten four HIDDEN CAMS.



Step 11

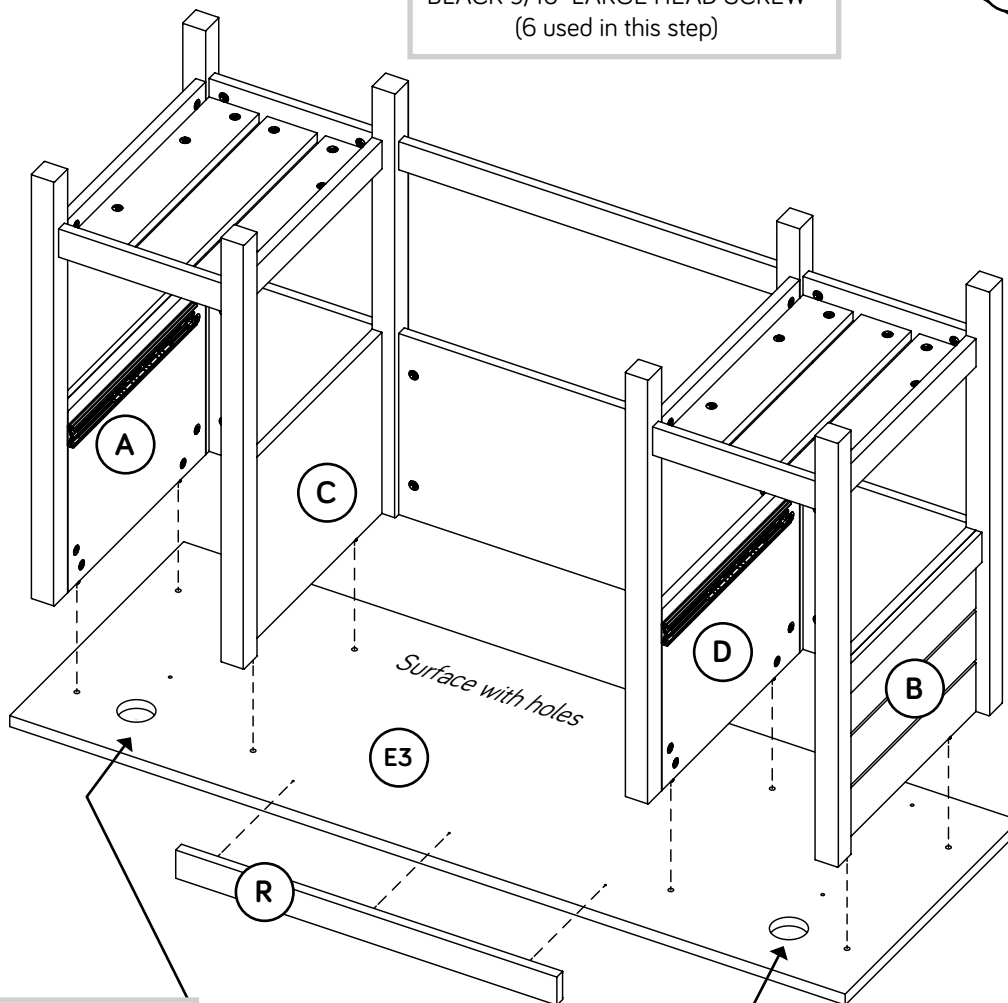
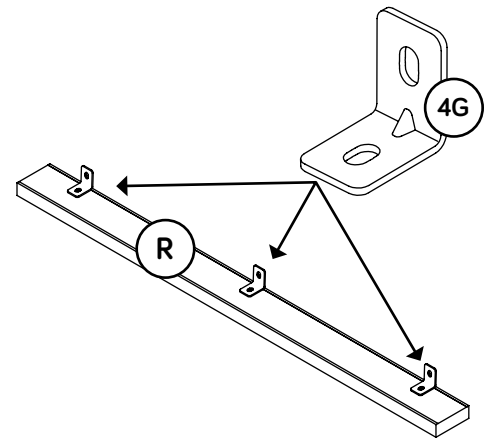
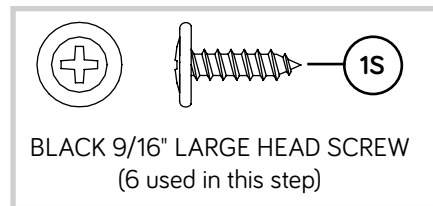
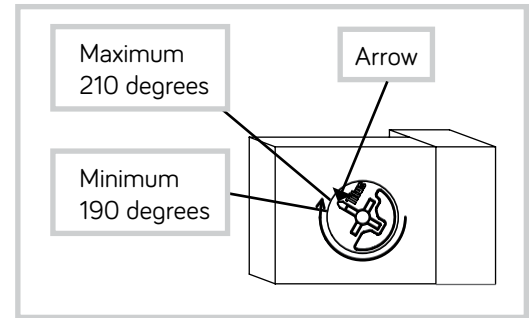


- Fasten the LEFT END ASSEMBLY to the SMALL BACK (I) and BOTTOM ASSEMBLY on the left end of your unit. Tighten six HIDDEN CAMS.
- Fasten the RIGHT END ASSEMBLY to the SMALL BACK (I) and BOTTOM ASSEMBLY on the right end of your unit. Tighten six HIDDEN CAMS.



Step 12

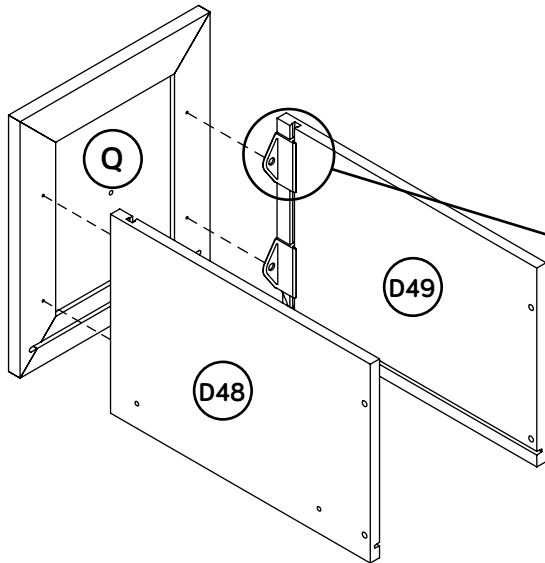
- ✚ **NOTE:** You will need someone's help in this step.
- ✚ Fasten the TOP (E3) to the ENDS (A and B) and UPRIGHTS (C and D). Tighten eight HIDDEN CAMS.
- ✚ Fasten three METAL BRACKETS (4G) to the TOP MOLDING (R). Use three BLACK 9/16" LARGE HEAD SCREWS (1S).
- ✚ **NOTE:** Be sure the BRACKETS are even with the edges of the MOLDING.
- ✚ Fasten the TOP MOLDING (R) to the TOP (E3). Use three BLACK 9/16" LARGE HEAD SCREWS (1S) through the METAL BRACKETS on the MOLDING (R) and into the holes in the TOP (E3).



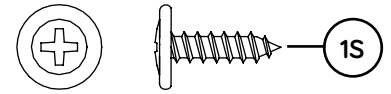
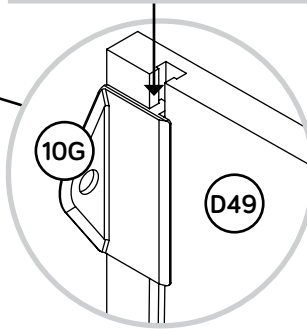
These holes must be here.

Step 16

1



Tap down with your screwdriver and hammer.



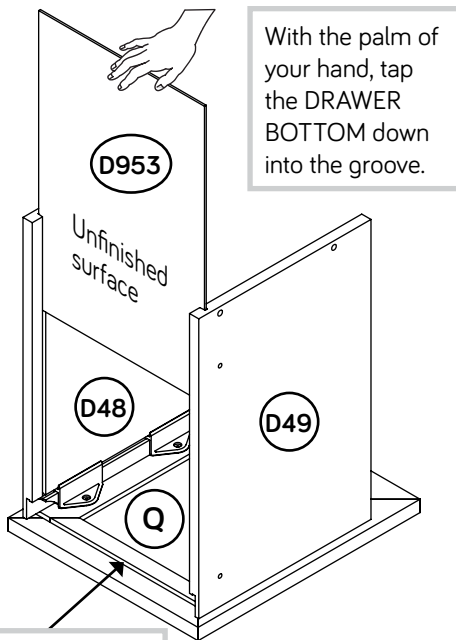
BLACK 9/16" LARGE HEAD SCREW
(8 used in this step)

✚ Pull the DRAWER FRONT BRACKETS (10G) apart and slide them into the grooves in the DRAWER SIDES (D48 and D49). You may need to gently tap them in with a hammer.

✚ **NOTE:** The DRAWER FRONT BRACKETS are marked "RH" and "LH" for easy identification.

✚ Fasten the DRAWER FRONT (Q) to the DRAWER FRONT BRACKETS (10G). Use four BLACK 9/16" LARGE HEAD SCREWS (1S).

2

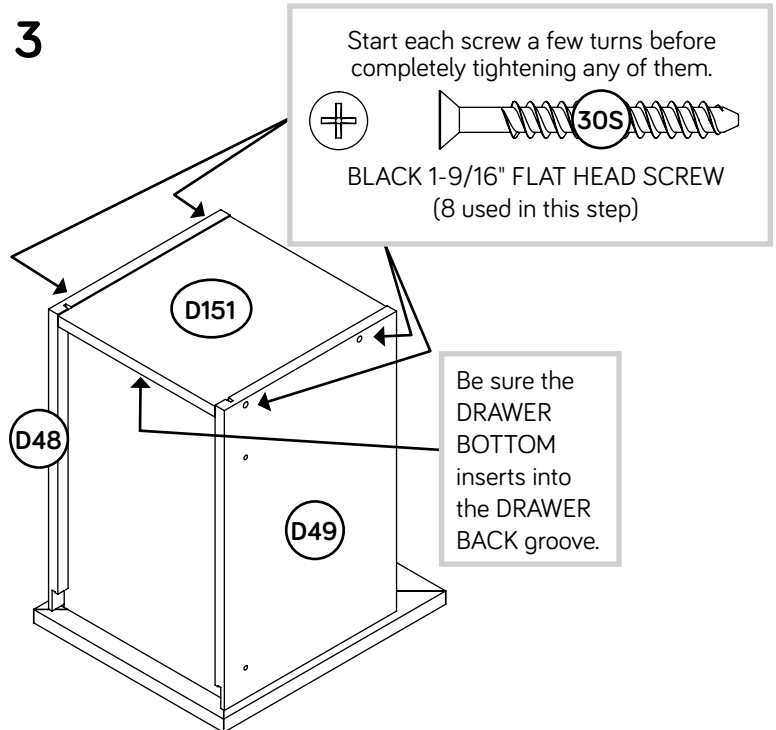


With the palm of your hand, tap the DRAWER BOTTOM down into the groove.

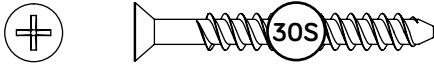
Be sure the DRAWER BOTTOM inserts into the DRAWER FRONT groove.

✚ Slide the DRAWER BOTTOM (D953) into the grooves in the DRAWER SIDES (D48 and D49) and DRAWER FRONT (Q).

3



Start each screw a few turns before completely tightening any of them.



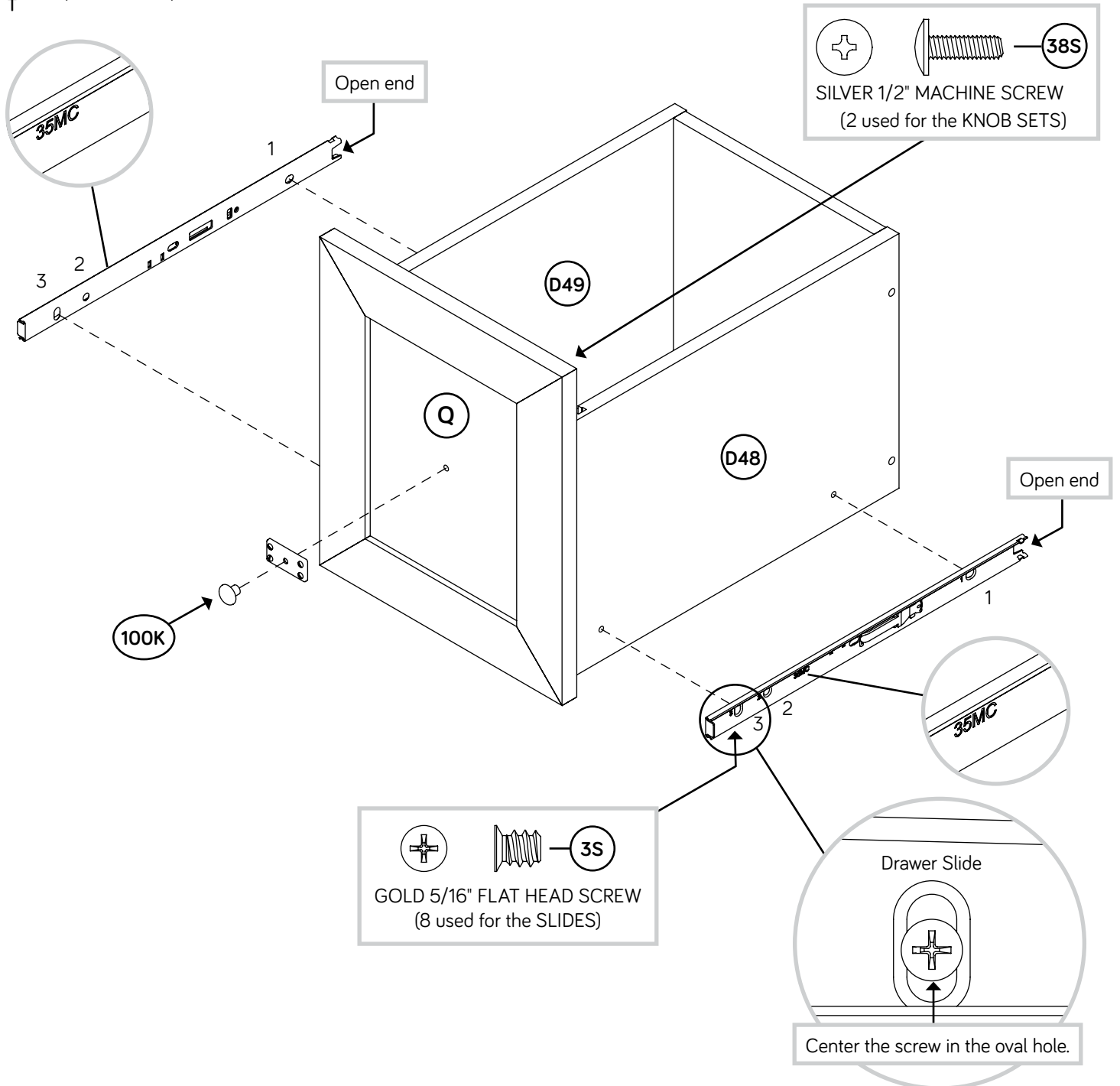
BLACK 1-9/16" FLAT HEAD SCREW
(8 used in this step)

Be sure the DRAWER BOTTOM inserts into the DRAWER BACK groove.

✚ Fasten the DRAWER BACK (D151) to the DRAWER SIDES (D48 and D49). Use four BLACK 1-9/16" FLAT HEAD SCREWS (30S). Repeat this step for the other drawer.

Step 17

- Fasten the EXTENSION SLIDES (35MC) to the DRAWER SIDES (D48 and D49). Use four GOLD 5/16" FLAT HEAD SCREWS (3S) through holes #1 and #3.
- Fasten a KNOB SET (100K) to the DRAWER FRONT (Q). Use a SILVER 1/2" MACHINE SCREW (38S).
- Repeat this step for the other drawer.



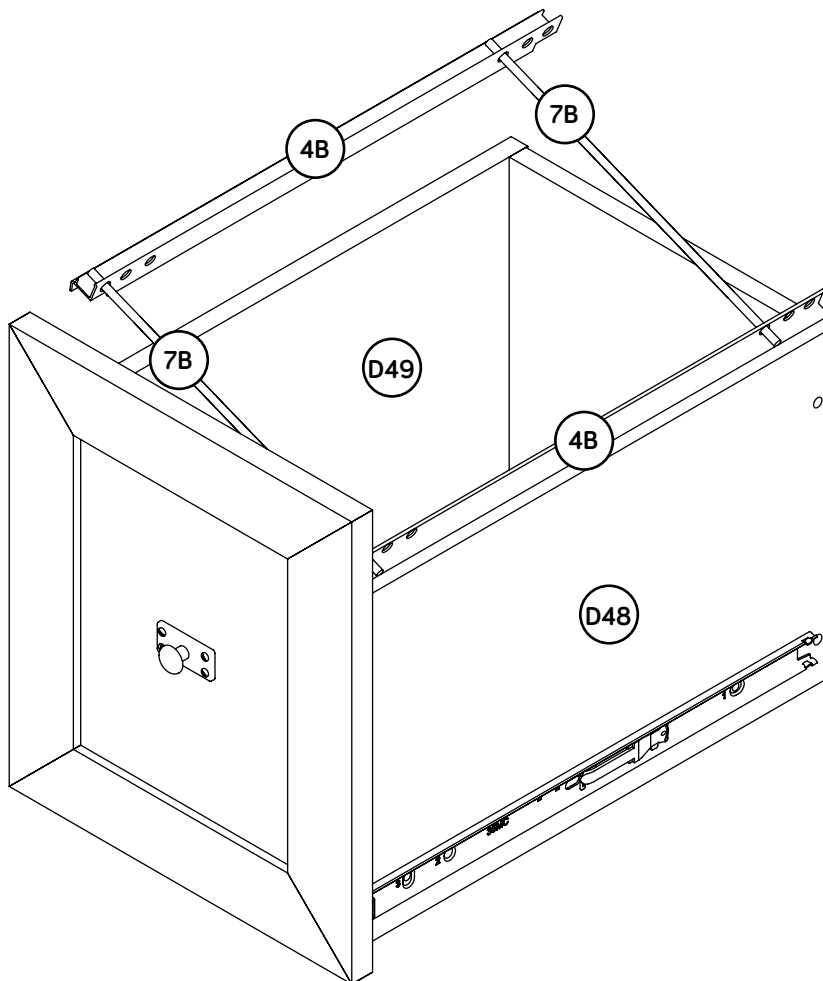
Step 18

- ✚ Push a FILE GLIDE (4B) onto the RIGHT DRAWER SIDE (D48).
- ✚ Slide the FILE RODS (7B) into the FILE GLIDE (4B) on the RIGHT DRAWER SIDE (D48).
- ✚ Slide another FILE GLIDE (4B) onto the other end of the FILE RODS (7B), then press this FILE GLIDE over the LEFT DRAWER SIDE (D49).

Zzz

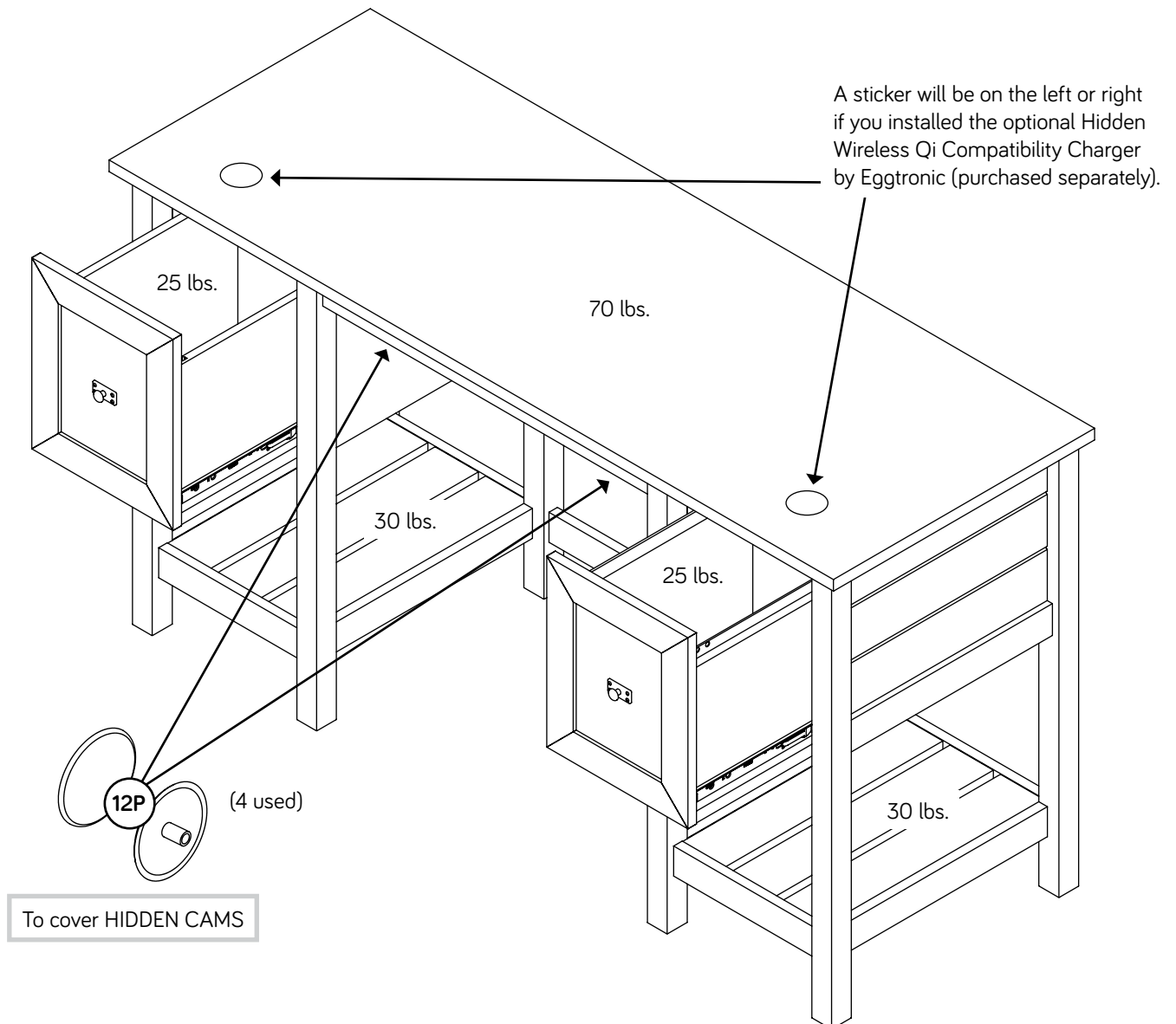
Almost time to celebrate! With a nap.

Insert the FILE RODS into the holes of your choice in the FILE GLIDES, depending on your file sizes.



Step 19

- ✚ Carefully stand your unit upright.
- ✚ To insert the drawers into your unit, line up the EXTENSION SLIDES on the drawer with the EXTENSION RAILS on the unit and push the drawer into the unit until the drawer is fully inserted. The drawers will push in hard until it is all the way in, then it will slide in and out easier.
- ✚ Using your hammer, gently tap a CAM COVER (12P) onto each HIDDEN CAM.
- ✚ If you purchased and installed the HIDDEN WIRELESS Qi COMPATIBLE CHARGER by EGGTRONIC, plug it into an outlet in your wall. To charge your phone, place it on the WIRELESS CHARGING SPOT STICKER. See the next page, if needed, for troubleshooting.
- ✚ **NOTE:** Please read the back pages of the instruction booklet for important safety information.
- ✚ This completes assembly. Clean with a damp cloth. Wipe dry.



⚠ WARNING

Please use your furniture correctly and safely. Improper use can cause safety hazards, or damage to your furniture or household items. ***Carefully read the following chart.***

Look out for:	What can happen:	How to avoid the problem:
<ul style="list-style-type: none">• Overloaded shelves and drawers.• Improper loading can cause the product to be top-heavy.	<ul style="list-style-type: none">• Risk of injury.• Top-heavy furniture can tip over.• Overloaded shelves and drawers can break.	<ul style="list-style-type: none">• Never exceed the weight limits shown in the instructions.• Work from bottom to top when loading shelves and drawers. Place the heavier items on the lower shelves or in lower drawers.
<ul style="list-style-type: none">• Improperly moving furniture that is not designed and equipped with casters.	<ul style="list-style-type: none">• Furniture can tip over or break if improperly moved.• Physical injury. Furniture can be very heavy.• Breakage of tops - particularly with double pedestal furniture (drawers at both ends).	<ul style="list-style-type: none">• Unload shelves and drawers from top to bottom before moving the unit.• Do not push furniture, especially on a carpeted floor. Have a friend help you lift the item and set it in place.• Provide support to the center section of the top when lifting the furniture.
<ul style="list-style-type: none">• Placing TVs on furniture items that are not designed to support a television is hazardous.	<ul style="list-style-type: none">• Risk of injury or death. TVs can be very heavy. Plus the weight and location of the picture tube tends to make TVs unbalanced and prone to tipping forward.	<ul style="list-style-type: none">• This product is not designed to support a television.