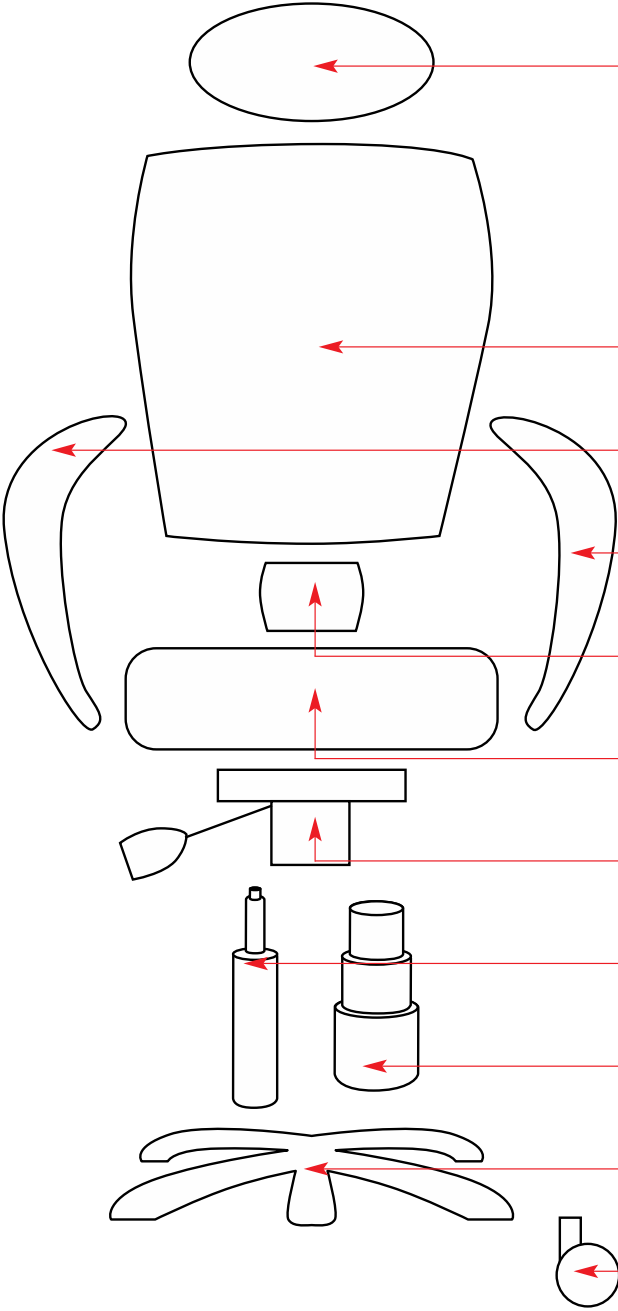
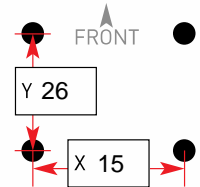


PRODUCT	ELEGANCE MEDIUM	6951
---------	-----------------	------



HEADREST	N/A
BACKREST	Z6951B
ARM <i>RH when seated</i>	Z6951R
ARM <i>LH when seated</i>	Z6951L
BACK BRACKET/MECH	N/A
SEAT	Z6951S
MECHANISM	Z6951M
GAS LIFT	Z23
TELESCOPE	N/A
FIVE STAR BASE	Z6951BASE
CASTORS	Z03 x4

MECHANISM  
SCREW DIMENSIONS  
IN CM



FIXINGS	M6x22 screws x4, M6x25 screws x8, M6 washers x12, Allen key
---------	---

UNIQUE PARTS	N/A
--------------	-----

NOTES	
-------	--