

Show **everyone** how smart **you** are.

Industrial Style 4 Shelf Bookcase

Model 5420277

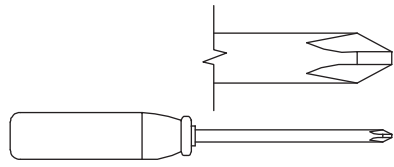
NOTE: THIS INSTRUCTION BOOKLET CONTAINS **IMPORTANT** SAFETY INFORMATION.

PLEASE READ AND KEEP FOR FUTURE REFERENCE.

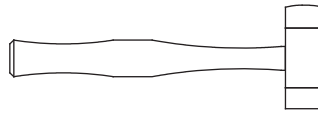
Table of Contents

Assembly Tools Required

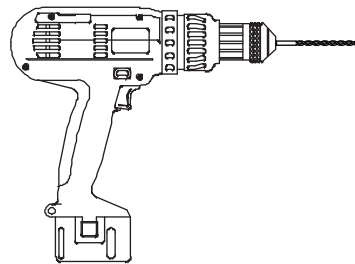
Part Identification	3
Hardware Identification	2
Assembly Steps	4-8
Safety	13



No. 2 Phillips Screwdriver
Tip Shown Actual Size



Rubber Mallet



Electric drill with 1/4" bit
(ONLY in indicated step)

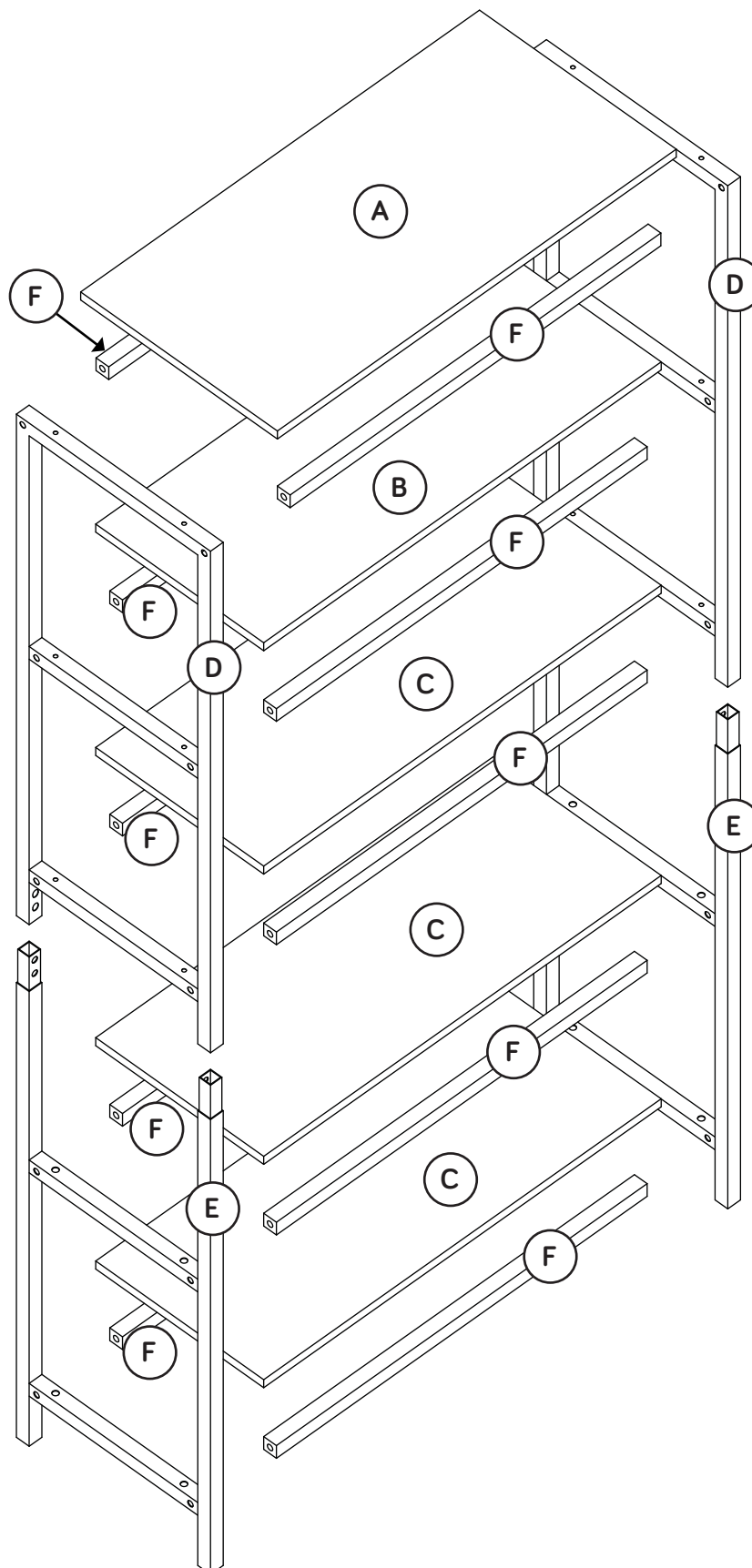
Part Identification

Now you know
our ABCs.



↑ While not all parts are labeled, some of the parts will have a label or an inked letter on the edge to help distinguish similar parts from each other. Use this part identification to help identify similar parts.

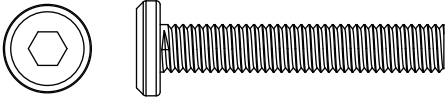
A	TOP (1)
B	UPPER SHELF (1)
C	SHELF (3)
D	UPPER END (2)
E	LOWER END (2)
F	SHELF SUPPORT (10)



Hardware Identification

† Screws are shown actual size. You may receive extra hardware with your unit.

1 1-3/8" ALLEN SCREW - 20



2 1-1/8" SCREW - 20



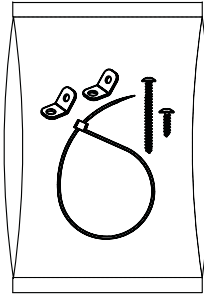
3 1/2" ALLEN SCREW - 8



8 ALLEN WRENCH - 1

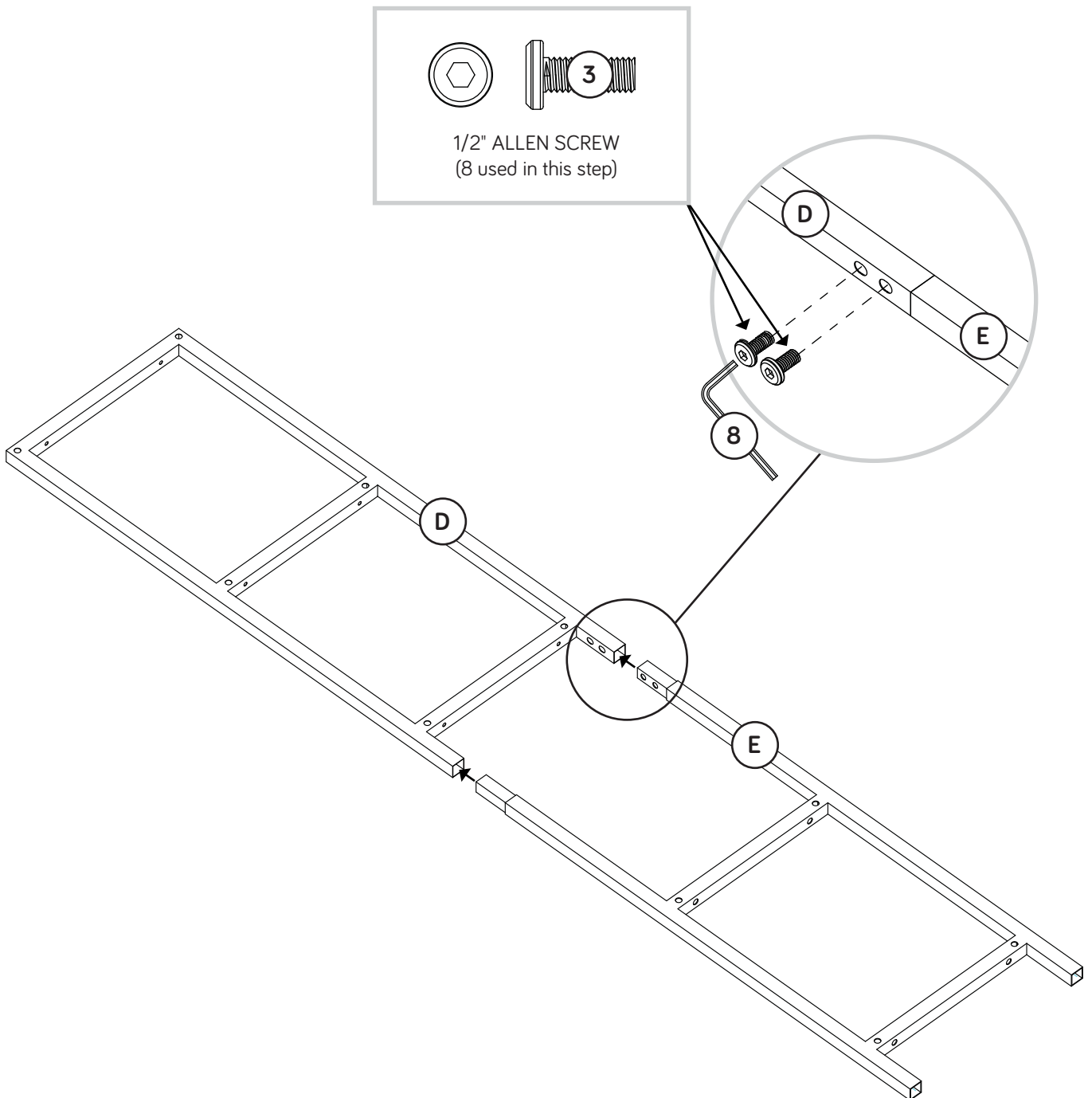


99 FURNITURE TIPPING RESTRAINT KIT - 1



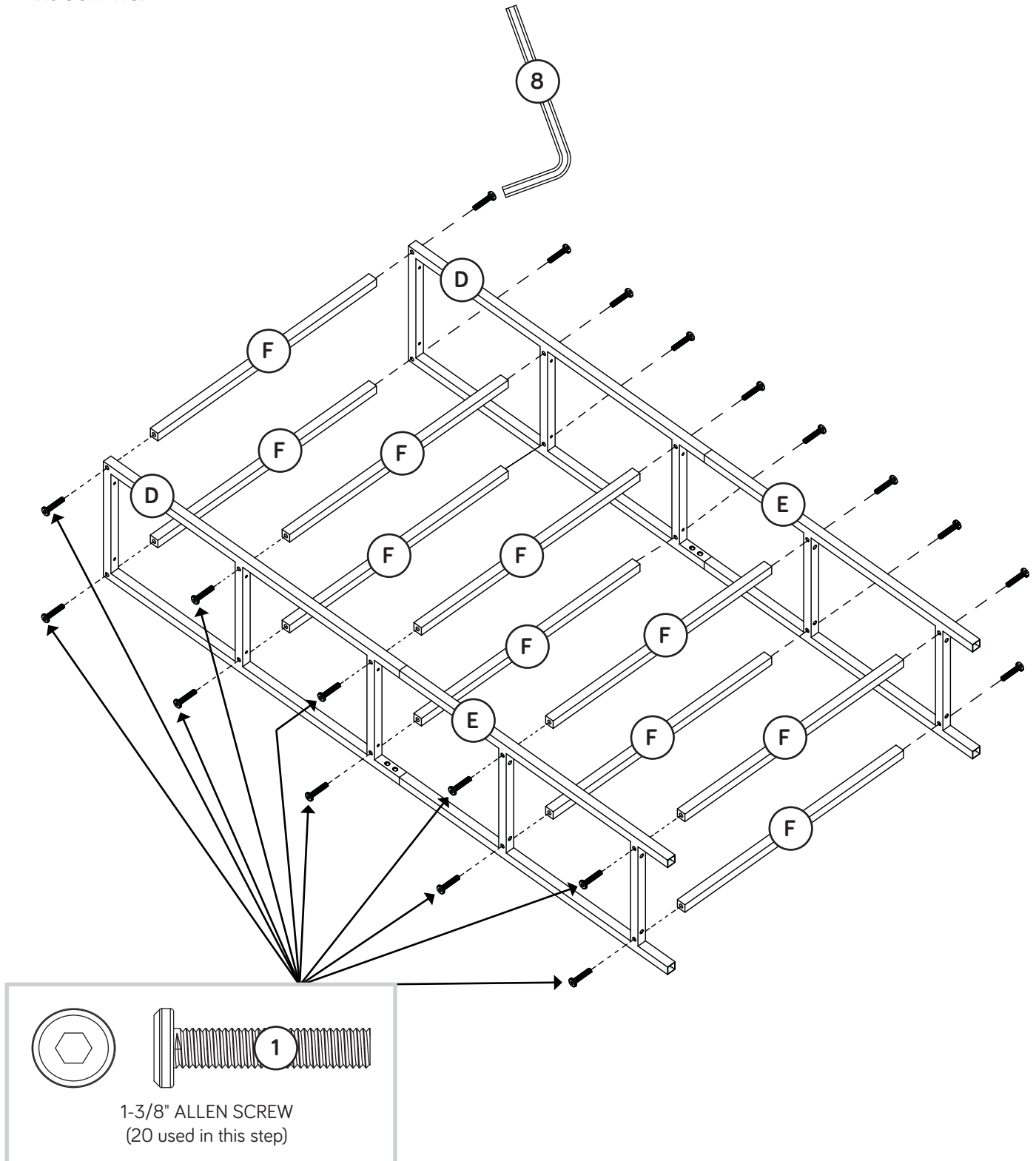
Step 1

- ✦ Assemble your unit on a carpeted floor or on the empty carton to avoid scratching your unit or the floor.
- ✦ NOTE: You should start each SCREW a few turns before completely tightening any of them.
- ✦ Insert the LOWER END (E) into the UPPER END (D).
- ✦ Then, fasten the UPPER END (D) to the LOWER END (E). Use four 1/2" ALLEN SCREWS (3) and the ALLEN WRENCH (8).
- ✦ Repeat this step for the other ENDS (D and E).



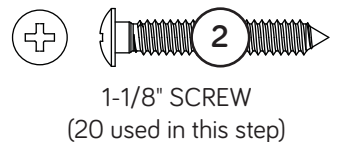
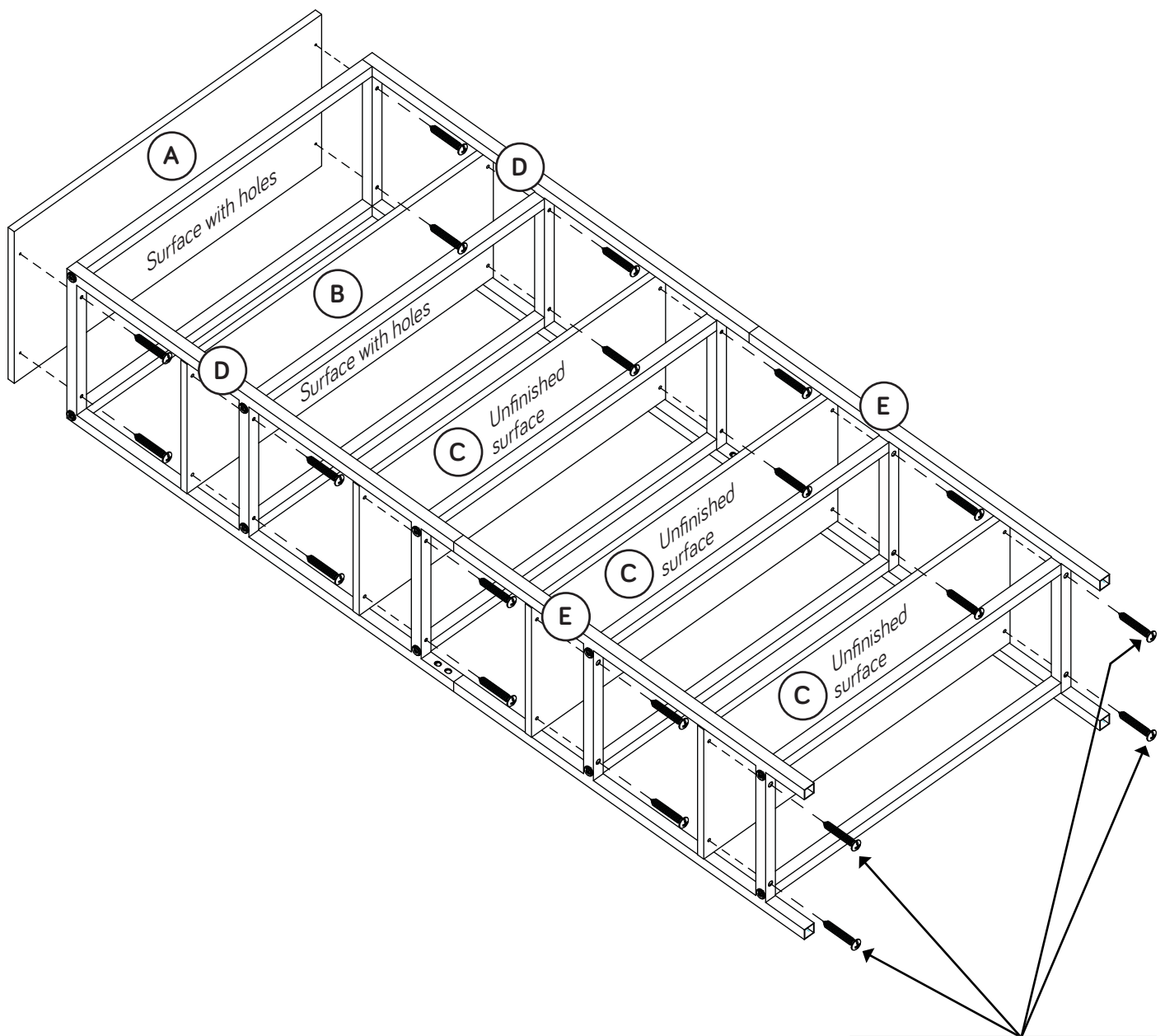
Step 2

- 🔩 **NOTE:** You should start each SCREW a few turns before completely tightening any of them.
- 🔩 Fasten the ENDS (D and E) to the SHELF SUPPORTS (F). Use twenty 1-3/8" ALLEN SCREWS (1) and the ALLEN WRENCH (8).
- 🔩 **NOTE:** Be sure to square up the SHELF SUPPORTS (F) to the ENDS (D and E) before you completely tighten the SCREWS.



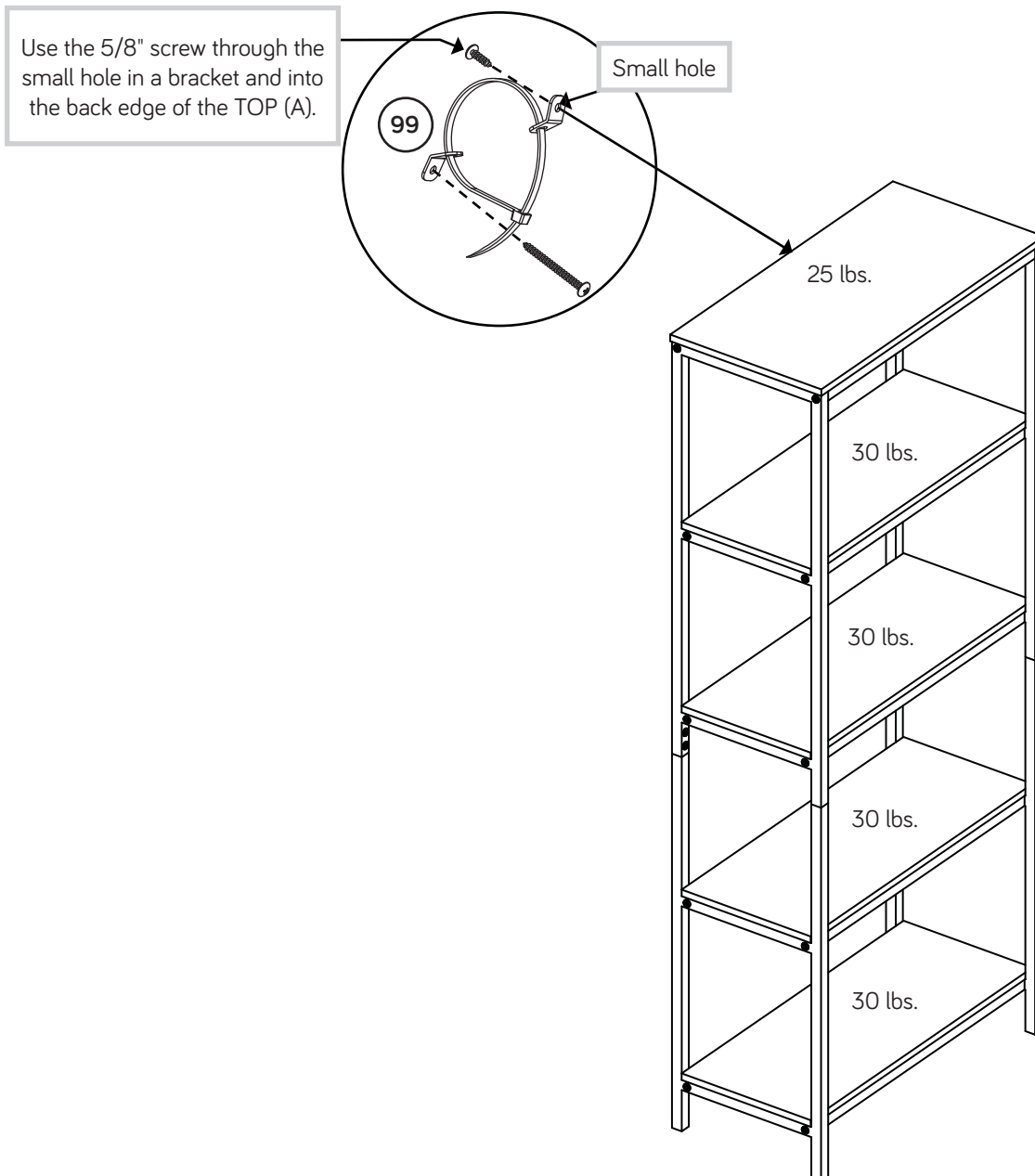
Step 3

- 🔩 **NOTE:** You should start each SCREW a few turns before completely tightening any of them.
- 🔩 Fasten the TOP (A) and SHELVES (B and C) to the ENDS (D and E). Use twenty 1-1/8" SCREWS (2).
- 🔩 **NOTE:** The TOP (A) is larger than the SHELVES (B and C). The UPPER SHELF (B) is finished on both sides. Be sure to position these parts exactly as shown in the diagram below.
- 🔩 **NOTE:** Do not overtighten the SCREWS.



Step 4

- ✦ Carefully stand your unit upright.
- ✦ We recommend using the FURNITURE TIPPING RESTRAINT KIT (99) for added stability. Fasten a bracket to the back edge of the TOP (A) using the 5/8" screw as shown.
- ✦ Place your unit in its final location against a wall.
- ✦ Follow the instructions included in the KIT to fasten your unit to the wall.
- ✦ **NOTE:** Please read the back pages of the instruction booklet for important safety information.
- ✦ This completes assembly. Clean with your favorite furniture polish or a damp cloth. Wipe dry.



⚠ WARNING

Please use your furniture correctly and safely. Improper use can cause safety hazards, or damage to your furniture or household items. **Carefully read the following chart.**

Look out for:	What can happen:	How to avoid the problem:
<ul style="list-style-type: none"> Overloaded shelves. Improper loading can cause the product to be top-heavy. 	<ul style="list-style-type: none"> Risk of injury. Top-heavy furniture can tip over. Overloaded shelves can break. 	<ul style="list-style-type: none"> Never exceed the weight limits shown in the instructions. Work from bottom to top when loading shelves. Place the heavier items on the lower shelves.
<ul style="list-style-type: none"> Improperly moving furniture that is not designed and equipped with casters. 	<ul style="list-style-type: none"> Furniture can tip over or break if improperly moved. Physical injury. Furniture can be very heavy. 	<ul style="list-style-type: none"> Unload shelves from top to bottom before moving the furniture. Do not push furniture, especially on a carpeted floor. Have a friend help you lift the item and set it in place. This unit must be positioned against a wall.
<ul style="list-style-type: none"> Children climbing on the shelves can cause the product to tip. 	<ul style="list-style-type: none"> Risk of injury or death. 	<ul style="list-style-type: none"> Do not allow children to climb on the shelves. Avoid placing items like toys or candy on upper shelves. Use the supplied tipping restraint kit for added stability.
<ul style="list-style-type: none"> Placing TVs on furniture items that are not designed to support a television is hazardous. 	<ul style="list-style-type: none"> Risk of injury or death. TVs can be very heavy. Plus the weight and location of the picture tube tends to make TVs unbalanced and prone to tipping forward. 	<ul style="list-style-type: none"> This product is not designed to support a television.