

## INDUSTRIAL STYLE BENCH DESK WITH SHELF

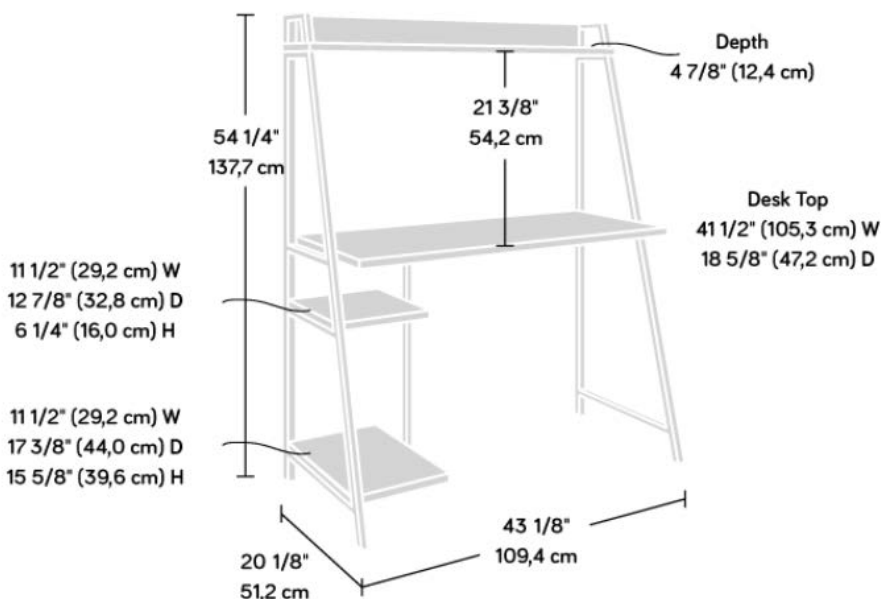
### PRODUCT SHEET

### FURNITURE



- Home office industrial style bench desk with shelf in charter oak finish
  - Sharp, minimalist design
  - Sturdy 1" thick top and shelves
    - Spacious work area
  - Durable black metal frame
  - Two lower storage shelves
- 360 degree all round finish, (can be freestanding)

Width	109.4 cm
Depth	51.2 cm
Height	137.7 cm
Carton Height	141.5 cm
Carton Width	60.8 cm
Carton Depth	15.2 cm
Box Volume	0.130 cbm
Weight (gross)	17.8 kg



N.B: All measurements are approximate