

# ASSEMBLY INSTRUCTIONS 6978

Ax1



Ex5

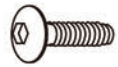


M6\*30mm

Bx1



Fx2



M6\*45mm

Gx2



M6\*50mm

Cx1



Hx5



M6\*15\*1.2mm

Dx1

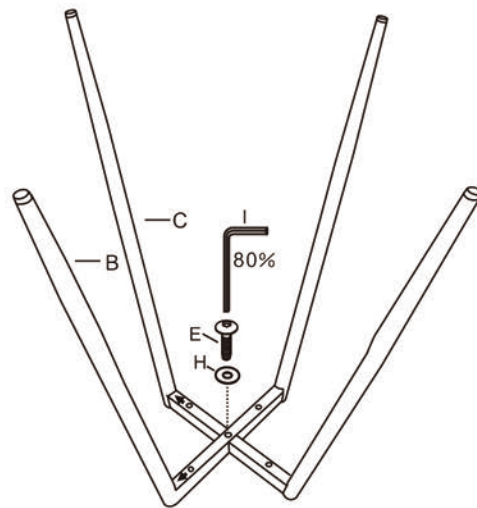


Ix1

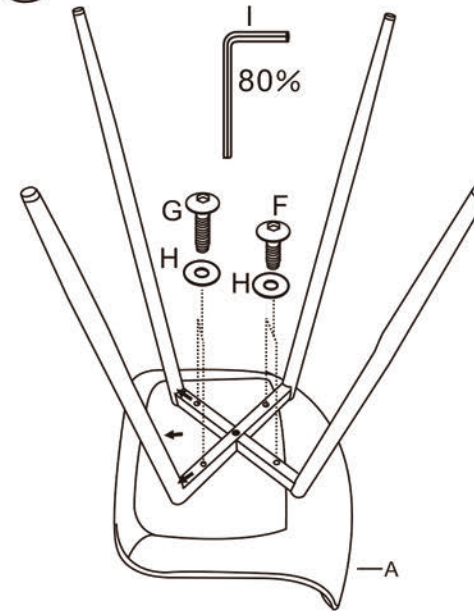


M6

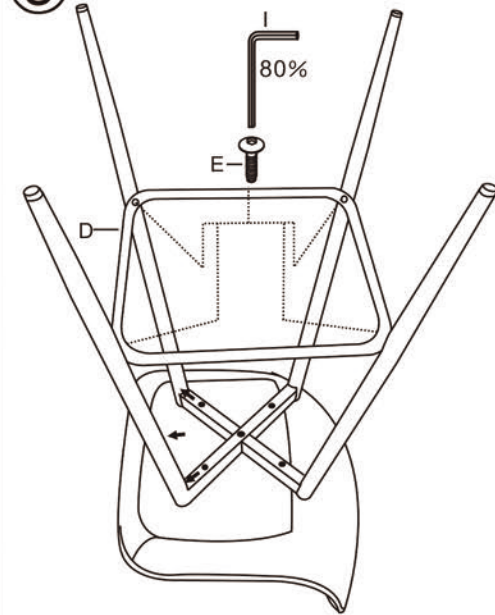
①



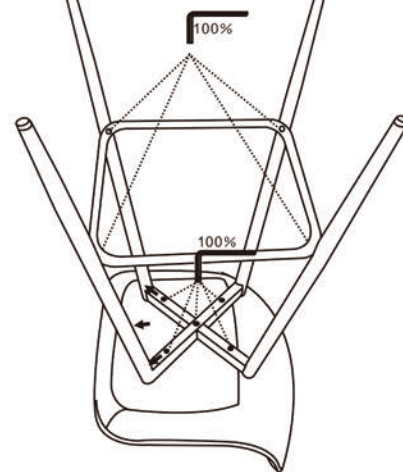
②



③



④



⑤

